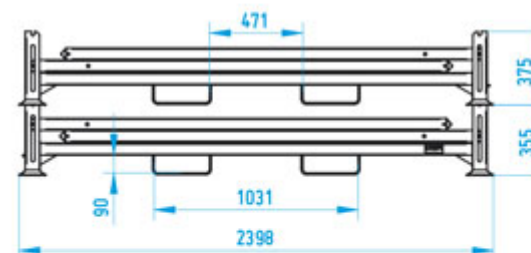
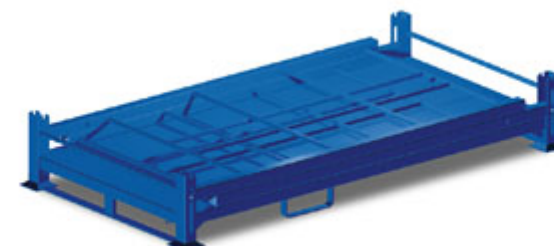
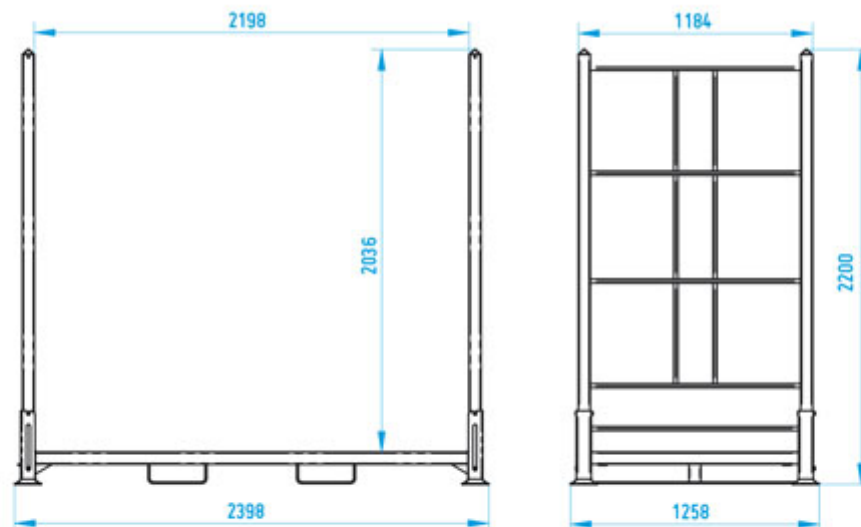
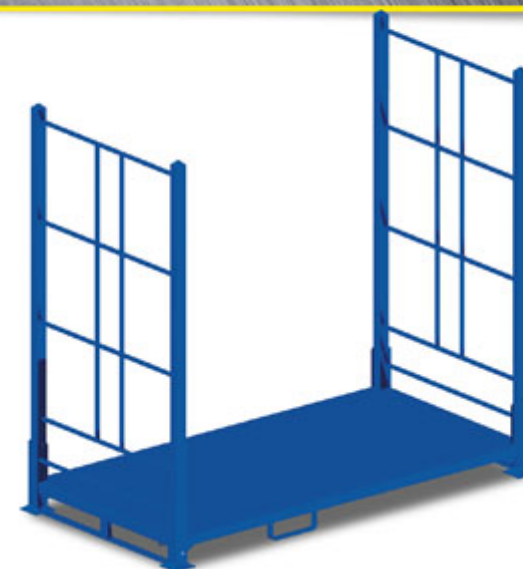


AR01 / for car tyres

Certification:



Outside dimensions	2398 x 1258 x 2200 mm
Max. load capacity	1000 kg
Storing (racks with tyres)	3 (standard), 4 or 5 high
Storing (collapsible)	20 pcs high
Carrying capacity	up to 100 tyres
Trailers transport	96 pcs
Surface	powder painting
Compatible with	GY, GY WIDE, AR01, AR01 BOX, AR01 LIGHT, AR01 WIDE, AR03, AR03 MIX, AR05, AR05 XL, AR05 ATV, AR10 XL, AR44
Additional equipment	chain, holes in metal sheet (45 holes), label, shelf P01, grid (box)

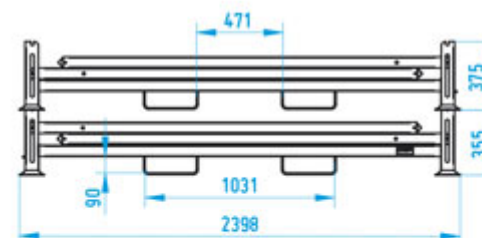
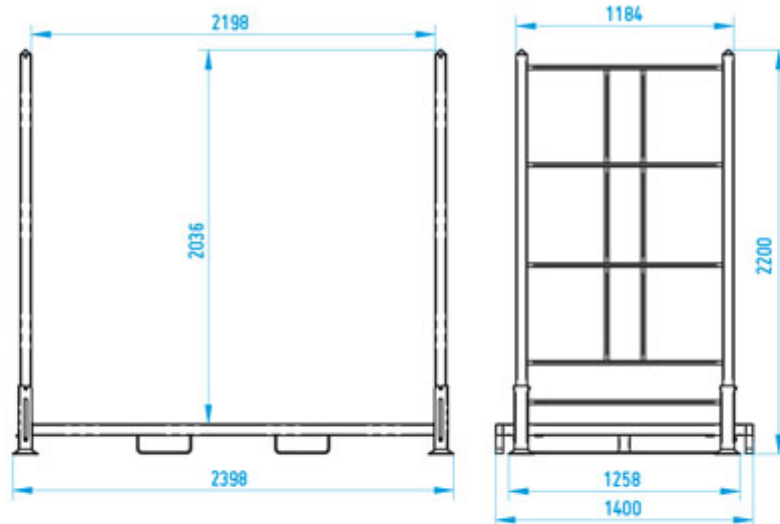
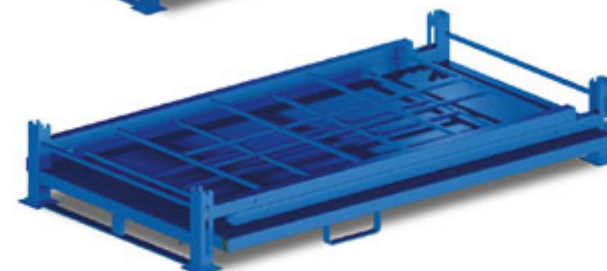
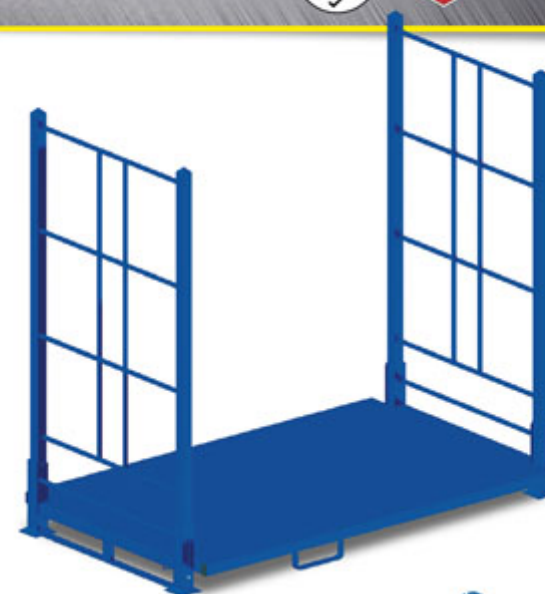


AR01 WIDE / for car tyres

Certification:



Outside dimensions	2398 x 1400 x 2200 mm
Max. load capacity	1000 kg
Storing (racks with tyres)	4 (standard) or 5 high
Storing (collapsible)	20 pcs high
Carrying capacity	up to 100 tyres
Trailers transport	80 pcs
Surface	powder painting
Compatible with	GY, GY WIDE, AR01, AR01 BOX, AR01 LIGHT, AR01 WIDE, AR03, AR03 MIX, AR05, AR05 XL, AR05 ATV, AR10 XL, AR44
Additional equipment	label



Arcom

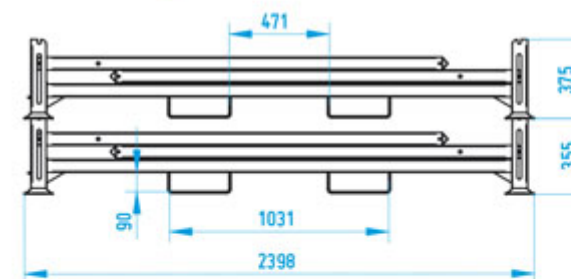
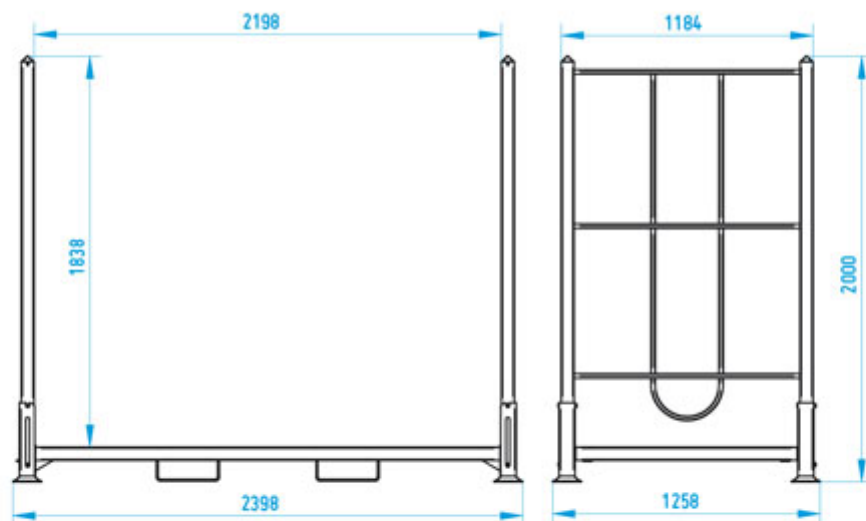
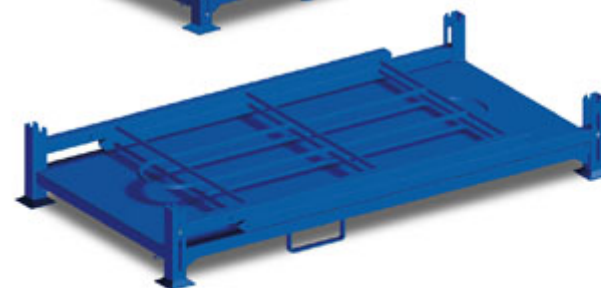
spółka jawna Artur Wilk, Robert Zięba / ul. Brzeska 3 / 32-765 Rzeszawa / Poland / tel.: +48 14 6960400 / fax +48 14 6960401 / e-mail: info@arcom.net.pl / http://www.arcom.net.pl

AR01 LIGHT / for car tyres

Certification:



Outside dimensions	2398 x 1258 x 2000 mm
Max. load capacity	1000 kg
Storing (racks with tyres)	3 (standard) or 4 high
Storing (collapsible)	20 pcs high
Carrying capacity	up to 80 tyres
Trailers transport	96 pcs
Surface	powder painting
Compatible with	GY, GY WIDE, AR01, AR01 BOX, AR01 LIGHT, AR01 WIDE, AR03, AR03 MIX, AR05, AR05 XL, AR05 ATV, AR10 XL, AR44
Additional equipment	chain, holes in metal sheet (45 holes), label, shelf P01, grid (box)



Arcom

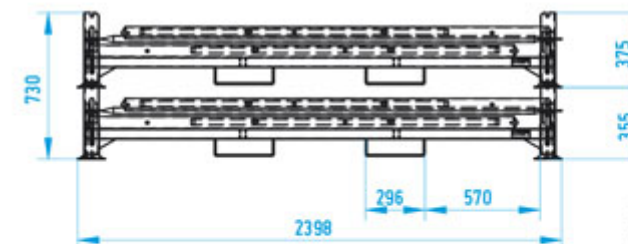
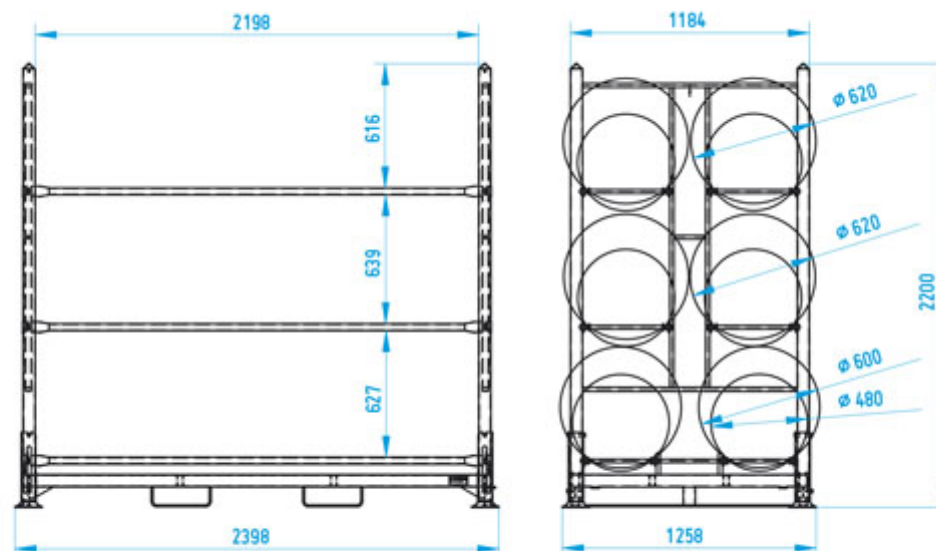
spółka jawna Artur Wilk, Robert Zięba / ul. Brzeska 3 / 32-765 Rzeszawa / Poland / tel.: +48 14 6960400 / fax +48 14 6960401 / e-mail: info@arcom.net.pl / http://www.arcom.net.pl

AR03 / for car tyres

Certification:



Outside dimensions	2398 x 1258 x 2200 mm
Max. load capacity	1000 kg
Max. load capacity (bars)	200 kg (1 row with tyres - 2 bars)
Storing (racks with tyres)	3 (standard), 4 or 5 high
Storing (collapsible)	20 pcs high
Carrying capacity	up to 100 tyres (fishbone) up to 72 tyres (on bars)
Trailers transport	96 pcs
Surface	powder painting
Compatible with	GY, GY WIDE, AR01, AR01 BOX, AR01 LIGHT, AR01 WIDE, AR03, AR03 MIX, AR05, AR05 XL, AR05 ATV, AR10 XL, AR44
Additional equipment	holes in metal sheet (45 holes), label, shelf P01, grid (box)



Arcom

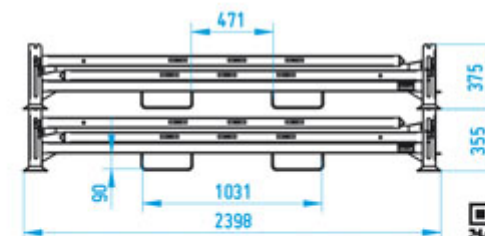
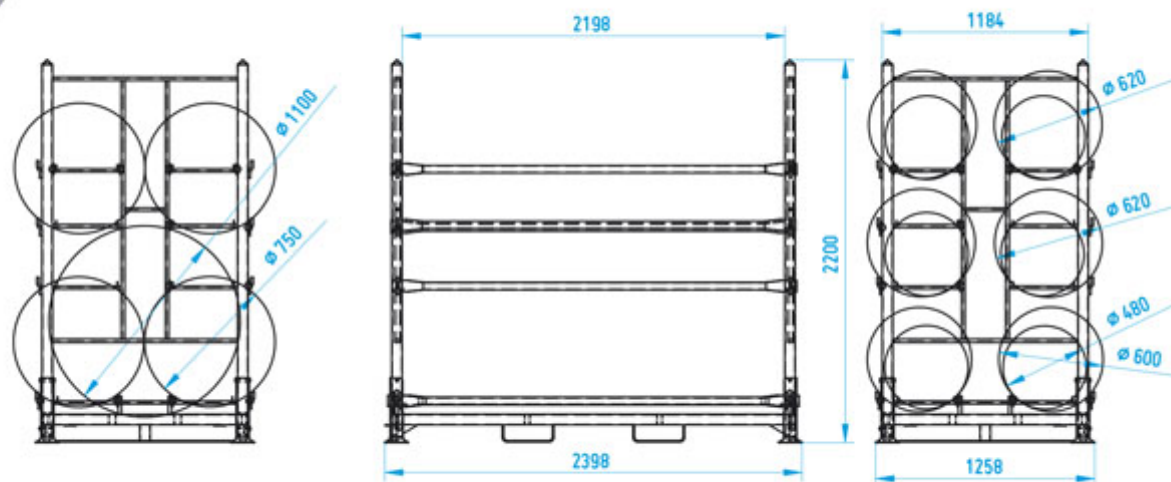
spółka jawna Artur Wilk, Robert Zięba / ul. Brzeska 3 / 32-765 Rzeszawa / Poland / tel.: +48 14 6960400 / fax +48 14 6960401 / e-mail: info@arcom.net.pl / http://www.arcom.net.pl

AR03 MIX / for tyres

Certification:



Outside dimensions	2398 x 1258 x 2200 mm
Max. load capacity	1000 kg
Max. load capacity (bars)	200 kg (1 row with tyres - 2 bars)
Storing (racks with tyres)	3 (standard), 4 or 5 high
Storing (collapsible)	20 pcs high
Carrying capacity	up to 100 tyres (fishbone) up to 72 tyres (on bars) up to 8 truck tyres
Trailers transport	96 pcs
Surface	powder painting
Compatible with	GY, GY WIDE, AR01, AR01 BOX, AR01 LIGHT, AR01 WIDE, AR03, AR03 MIX, AR05, AR05 XL, AR05 ATV, AR10 XL, AR44
Additional equipment	holes in metal sheet (39 holes), label, shelf P01, grid (box)



Arcom

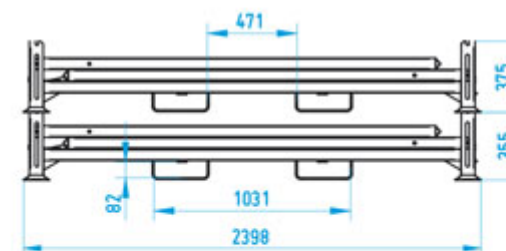
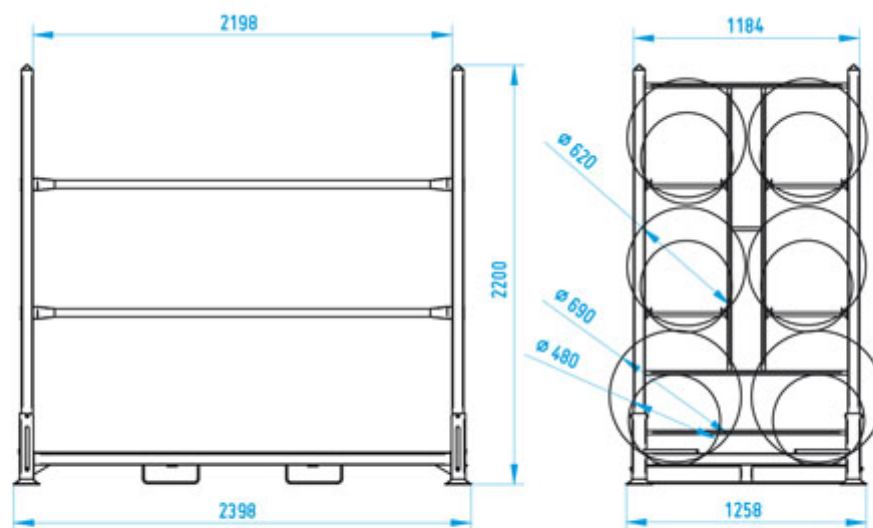
spółka jawna Artur Wilk, Robert Zięba / ul. Brzeska 3 / 32-765 Rzeszawa / Poland / tel.: +48 14 6960400 / fax +48 14 6960401 / e-mail: info@arcom.net.pl / http://www.arcom.net.pl

AR05 / for car tyres

Certification:



Outside dimensions	2398 x 1258 x 2200 mm
Max. load capacity	1000 kg
Max. load capacity (bars)	200 kg (1 row with tyres - 2 bars)
Storing (racks with tyres)	3 (standard) or 4 high
Storing (collapsible)	20 pcs high
Carrying capacity	up to 72 tyres
Trailers transport	96 pcs
Surface	powder painting or zinc
Compatible with	GY, GY WIDE, AR01, AR01 BOX, AR01 LIGHT, AR01 WIDE, AR03, AR03 MIX, AR05, AR05 XL, AR05 ATV, AR10 XL, AR44
Additional equipment	label, shelf P01

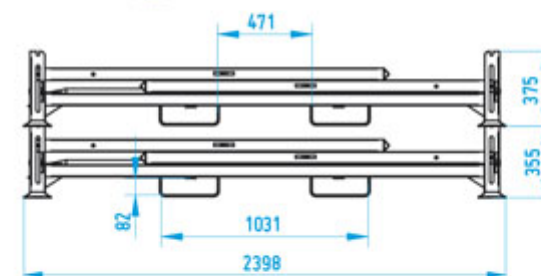
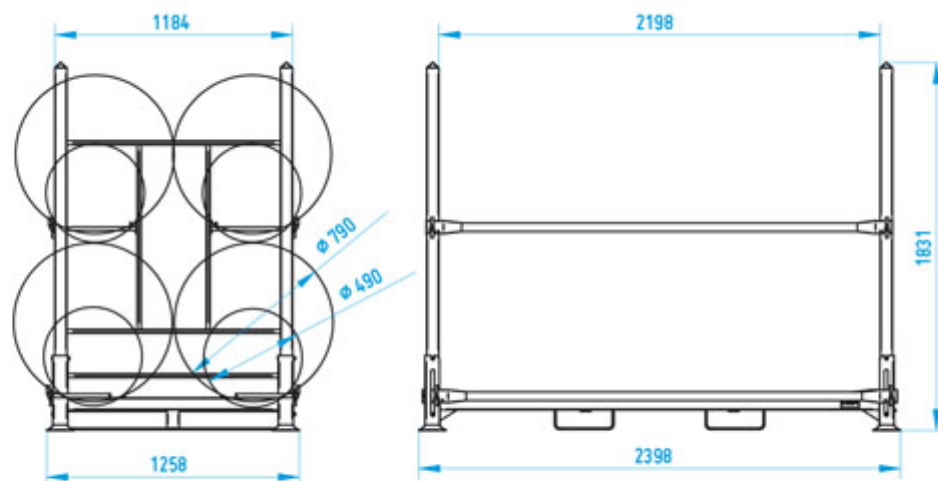


AR05 XL / for tyres up to \varnothing 790 mm

Certification:



Outside dimensions	2398 x 1258 x 1831 mm
Max. load capacity	1000 kg
Max. load capacity (bars)	200 kg (1 row with tyres - 2 bars)
Storing (racks with tyres)	4 (standard), 5 or 6 high
Storing (collapsible)	20 pcs high
Carrying capacity	up to 40 tyres
Trailers transport	96 pcs
Surface	powder painting or zinc
Compatible with	GY, GY WIDE, AR01, AR01 BOX, AR01 LIGHT, AR01 WIDE, AR03, AR03 MIX, AR05, AR05 XL, AR05 ATV, AR10 XL, AR44
Additional equipment	label, shelf P01



Arcom

spółka jawna Artur Wilk, Robert Zięba / ul. Brzeska 3 / 32-765 Rzeszawa / Poland / tel.: +48 14 6960400 / fax +48 14 6960401 / e-mail: info@arcom.net.pl / http://www.arcom.net.pl

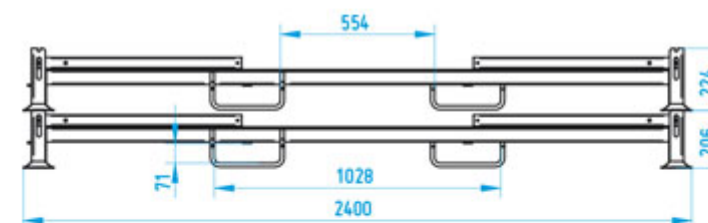
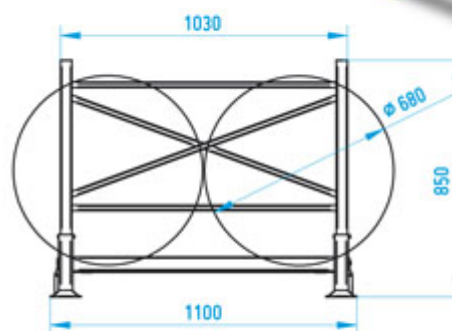
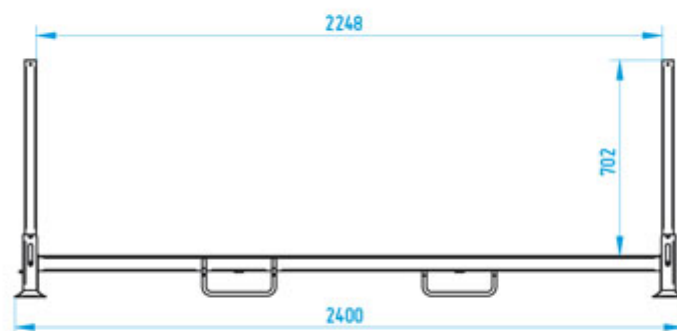
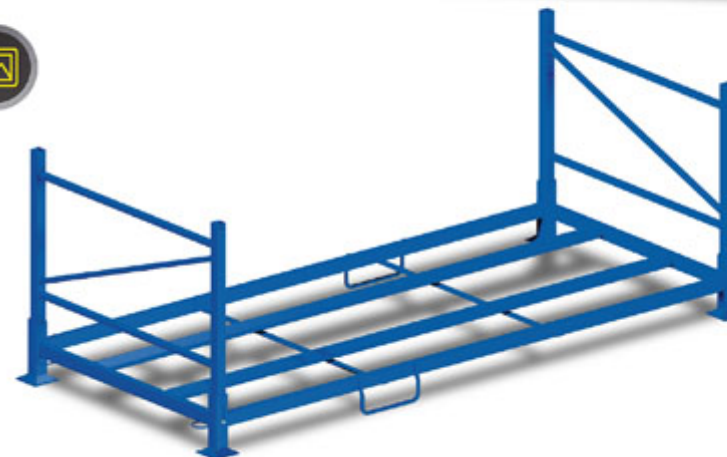
AR07 / for car tyres

Certification:



Outside dimensions	2400 x 1100 x 850 mm
Max. load capacity	300 kg
Storing (racks with tyres)	8 high
Storing (collapsible)	20 pcs high
Carrying capacity	up to 24 tyres
Trailers transport	196 pcs
Surface	powder painting
Compatible with	AR07, AR10, AR40, AR42
Additional equipment	label

ATTENTION: new, secure way of storing tyres



Arcom

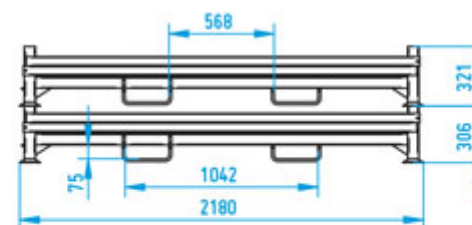
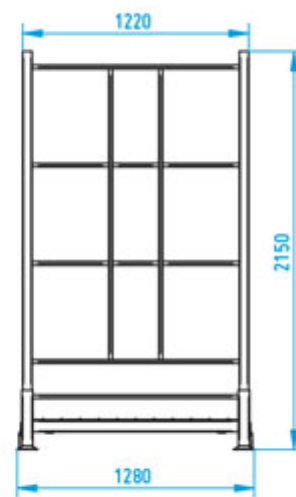
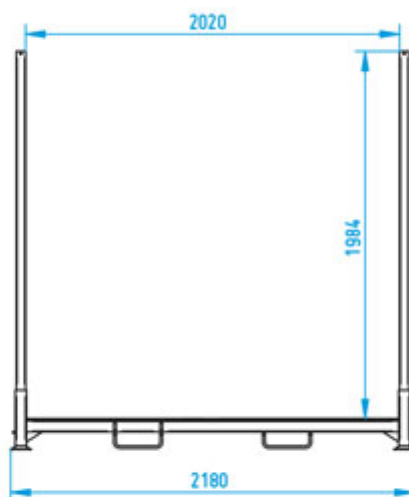
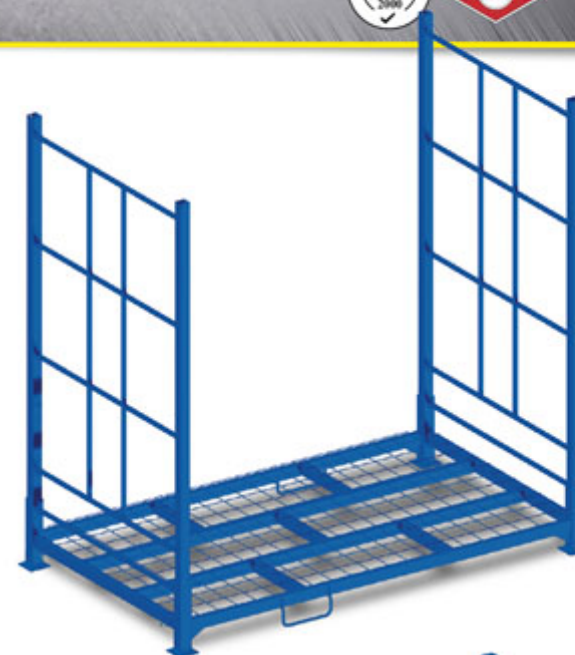
spółka jawna Artur Wilk, Robert Zięba / ul. Brzeska 3 / 32-765 Rzeszawa / Poland / tel.: +48 14 6960400 / fax +48 14 6960401 / e-mail: info@arcom.net.pl / http://www.arcom.net.pl

AR09 / for car tyres and casings

Certification:



Outside dimensions	2180 x 1280 x 2150 mm
Max. load capacity	800 kg
Storing (racks with tyres)	3 high
Storing (collapsible)	20 pcs high
Carrying capacity	up to 90 tyres
Trailers transport	108 pcs
Sea transport	72 pcs (40'HC)
Surface	powder painting or zinc
Bottom	grid (Ø5 x 100 x 100 mm) or metal sheet
Additional equipment	chain, label, shelf P01, grid (box)

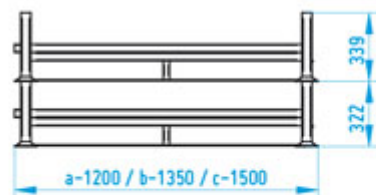
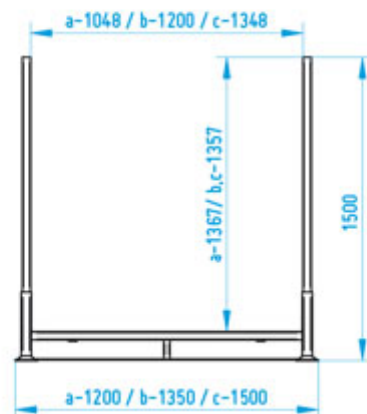
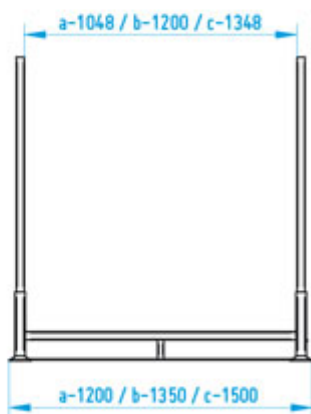
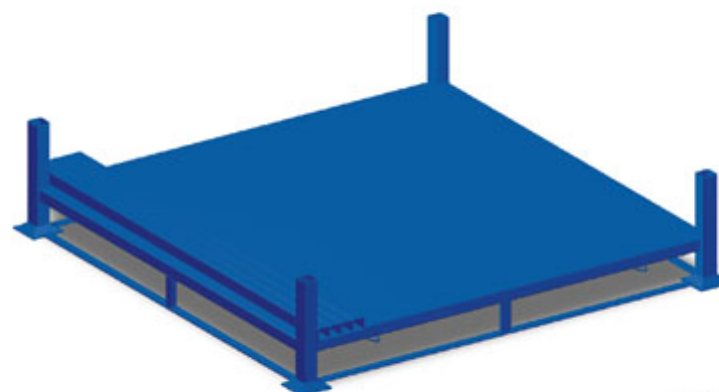


AR14 a, b, c / for car tyres

Certification:



Outside dimensions	a: 1200 x 1200 x 1500 mm b: 1350 x 1350 x 1500 mm c: 1500 x 1500 x 1500 mm
Max. load capacity	a, b: 300 Kg, c: 350 Kg
Storing (racks with tyres)	3 high
Storing (collapsible)	20 pcs high
Trailers transport	a: 216 pcs, b, c: 90 pcs
Sea transport	a: 80 pcs (40'HC), b, c: 64 pcs (40'HC)
Surface	powder painting
Additional equipment	label

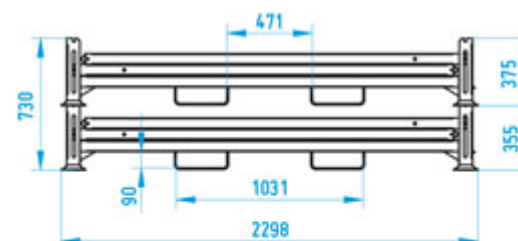
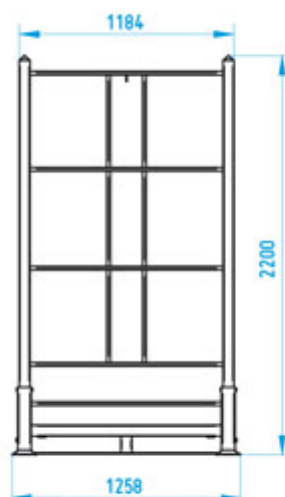
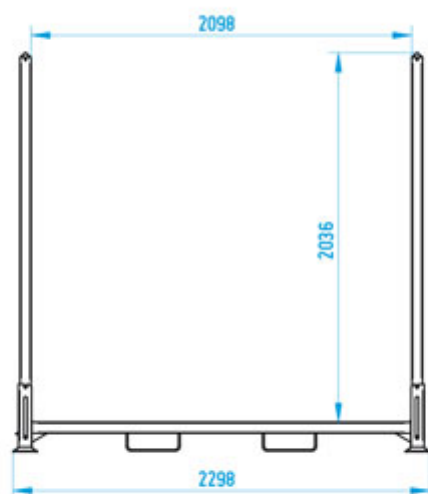
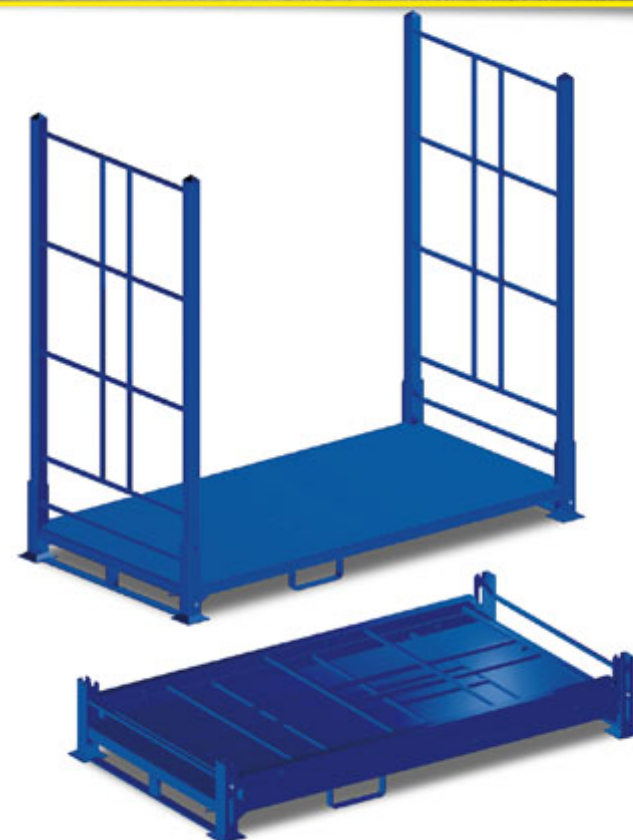


AR02 / for car tyres

Certification:



Outside dimensions	2298 x 1258 x 2200 mm
Max. load capacity	1000 kg
Storing (racks with tyres)	3 (standard), 4 or 5 high
Storing (collapsible)	20 pcs high
Carrying capacity	up to 100 tyres
Sea transport	63 pcs (40'HC)
Surface	powder painting
Compatible with	AR02, AR02 BOX, AR02 LIGHT, AR02 WIDE, AR04, AR04 MIX, AR06, AR06 XL, AR 06 ATV, AR11 XL, AR45
Additional equipment	chain, holes in metal sheet (39 holes), label, shelf P02, grid (box)

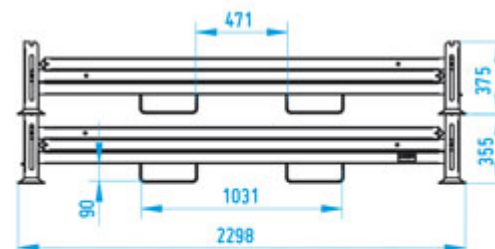
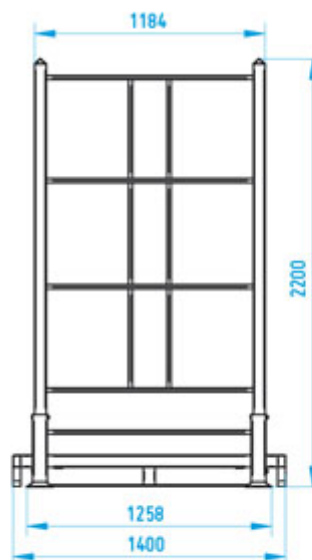
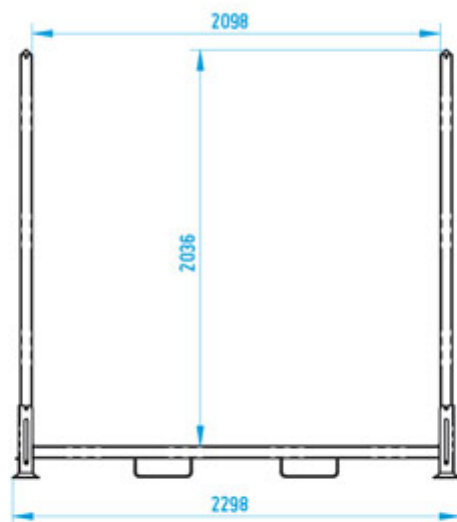
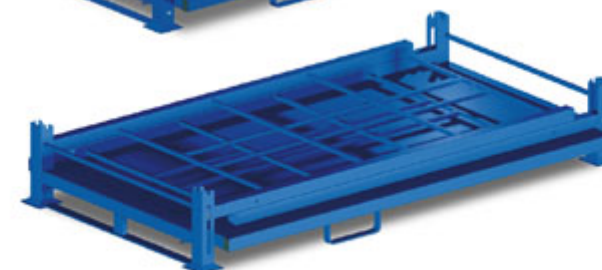


AR02 WIDE / for car tyres

Certification:



Outside dimensions	2298 x 1400 x 2200 mm
Max. load capacity	1000 kg
Storing (racks with tyres)	4 (standard) or 5 high
Storing (collapsible)	20 pcs high
Carrying capacity	up to 100 tyres
Sea transport	56 pcs
Surface	powder painting
Compatible with	AR02, AR02 BOX, AR02 LIGHT, AR02 WIDE, AR04, AR04 MIX, AR06, AR06 XL, AR 06 ATV, AR11 XL, AR45
Additional equipment	label



Arcom

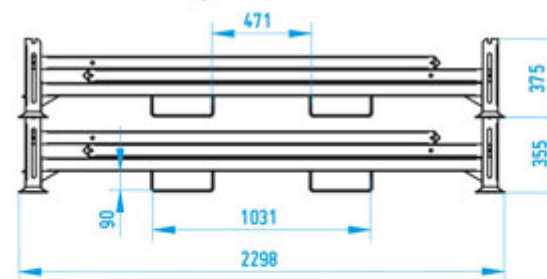
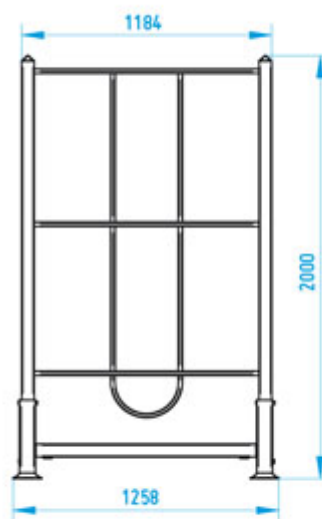
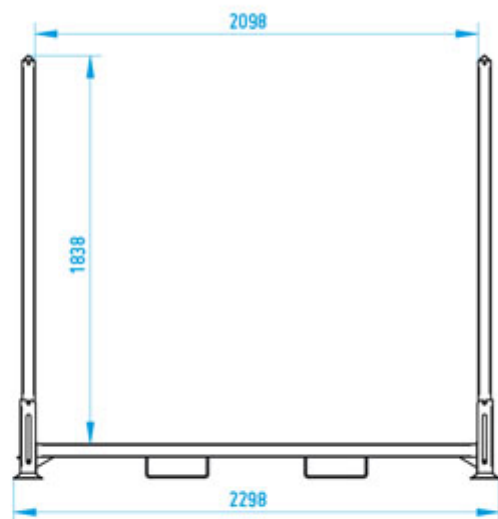
spółka jawna Artur Wilk, Robert Zięba / ul. Brzeska 3 / 32-765 Rzeszawa / Poland / tel.: +48 14 6960400 / fax +48 14 6960401 / e-mail: info@arcom.net.pl / http://www.arcom.net.pl

AR02 LIGHT / for car tyres

Certification:



Outside dimensions	2298 x 1258 x 2000 mm
Max. load capacity	1000 kg
Storing (racks with tyres)	3 (standard) or 4 high
Storing (collapsible)	20 pcs high
Carrying capacity	up to 80 tyres
Sea transport	63 pcs (40'HC)
Surface	powder painting
Compatible with	AR02, AR02 BOX, AR02 LIGHT, AR02 WIDE, AR04, AR04 MIX, AR06, AR06 XL, AR 06 ATV, AR11 XL, AR45
Additional equipment	chain, holes in metal sheet (39 holes), label, shelf P02, grid (box)



Arcom

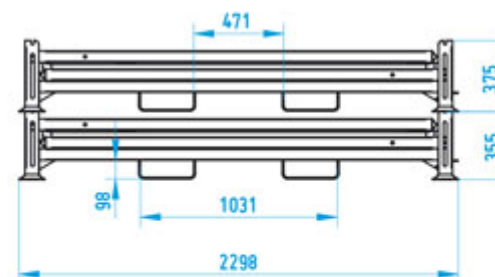
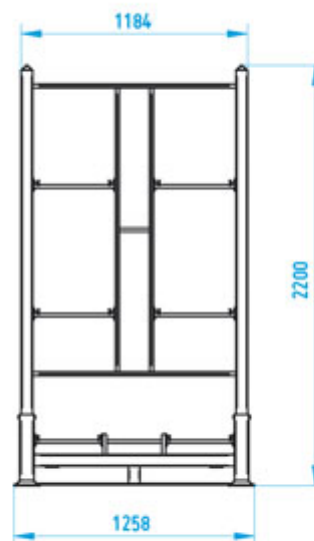
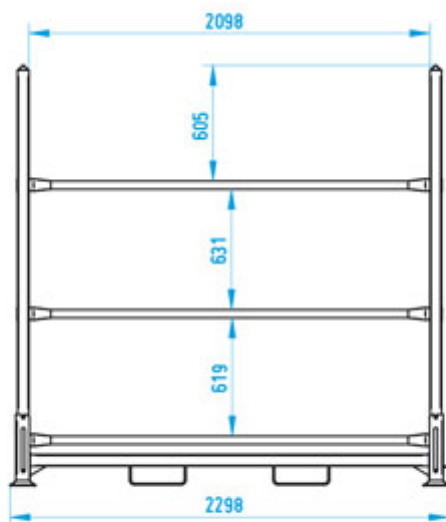
spółka jawna Artur Wilk, Robert Zięba / ul. Brzeska 3 / 32-765 Rzeszawa / Poland / tel.: +48 14 6960400 / fax +48 14 6960401 / e-mail: info@arcom.net.pl / http://www.arcom.net.pl

AR04 / for car tyres

Certification:



Outside dimensions	2298 x 1258 x 2200 mm
Max. load capacity	1000 kg
Max. load capacity (bars)	200 kg (1 row with tyres - 2 bars)
Storing (racks with tyres)	3 (standard), 4 or 5 high
Storing (collapsible)	20 pcs high
Carrying capacity	up to 100 tyres (fishbone) up to 72 tyres (on bars)
Sea transport	63 pcs (40'HC)
Surface	powder painting
Compatible with	AR02, AR02 BOX, AR02 LIGHT, AR02 WIDE, AR04, AR04 MIX, AR06, AR06 XL, AR 06 ATV, AR11 XL, AR45
Additional equipment	holes in metal sheet (39 holes), label, shelf Poz, grid (box)

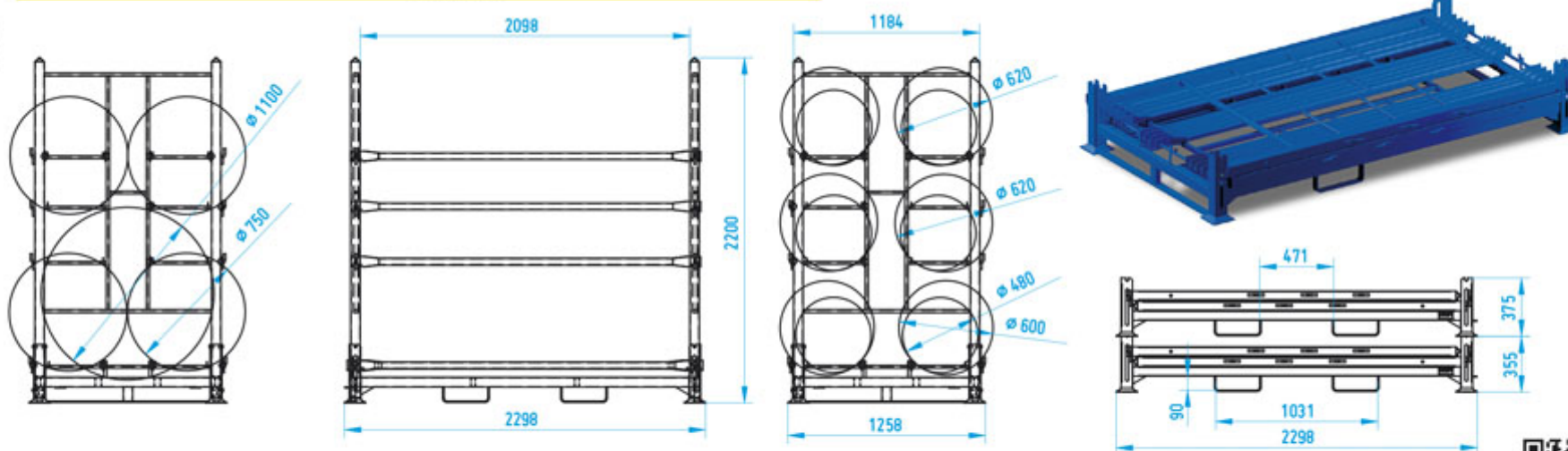


AR04 MIX / for tyres

Certification:



Outside dimensions	2298 x 1258 x 2200 mm
Max. load capacity	1000 kg
Max. load capacity (bars)	200 kg (1 row with tyres - 2 bars)
Storing (racks with tyres)	3 (standard), 4 or 5 high
Storing (collapsible)	20 pcs high
Carrying capacity	up to 100 tyres (fishbone) up to 72 tyres (on bars)
Sea transport	63 pcs (40'HC)
Surface	powder painting
Compatible with	AR02, AR02 BOX, AR02 LIGHT, AR02 WIDE, AR04, AR04 MIX, AR06, AR06 XL, AR 06 ATV, AR11 XL, AR45
Additional equipment	holes in metal sheet (26 holes), label, shelf Poz, grid (box)



Arcom

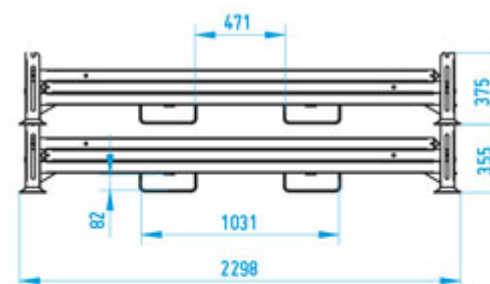
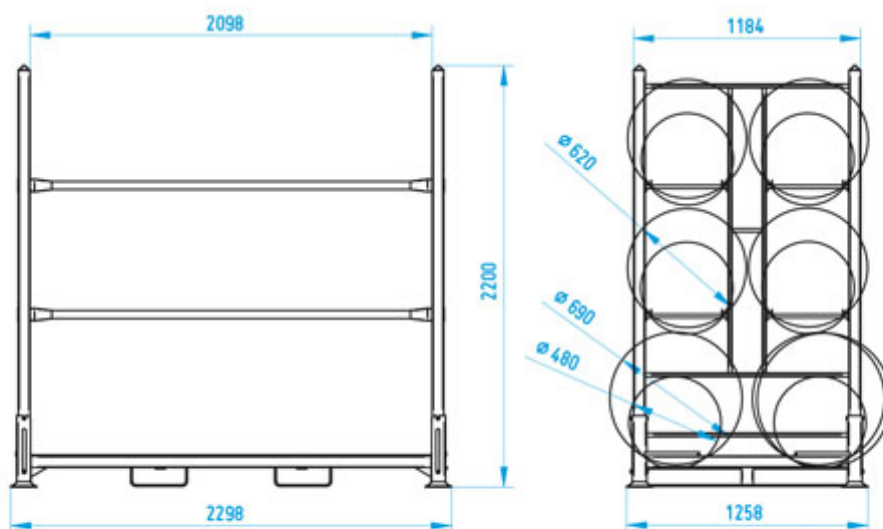
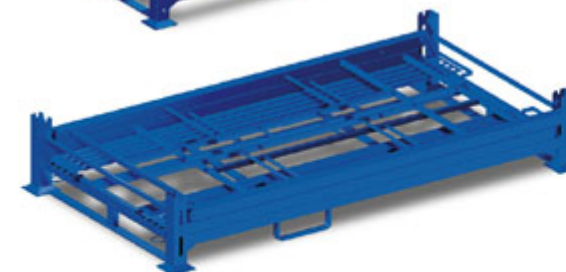
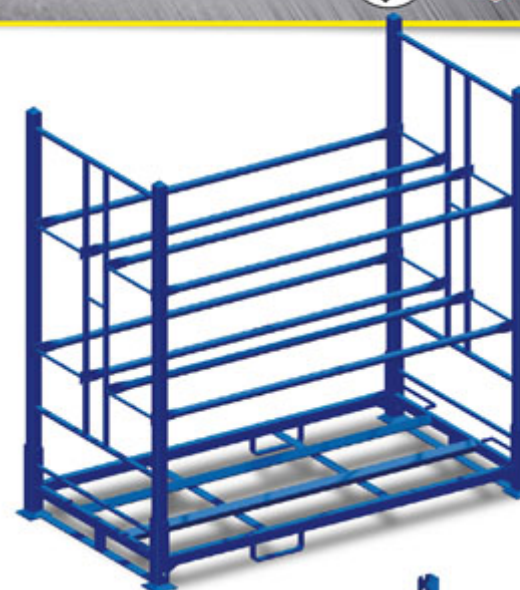
spółka jawna Artur Wilk, Robert Zięba / ul. Brzeska 3 / 32-765 Rzeszawa / Poland / tel.: +48 14 6960400 / fax +48 14 6960401 / e-mail: info@arcom.net.pl / http://www.arcom.net.pl

AR06 / for car tyres

Certification:



Outside dimensions	2298 x 1258 x 2200 mm
Max. load capacity	1000 kg
Max. load capacity (bars)	200 kg (1 row with tyres - 2 bars)
Storing (racks with tyres)	3 (standard) or 4 high
Storing (collapsible)	20 pcs high
Carrying capacity	up to 72 tyres
Sea transport	63 pcs (40'HC)
Surface	powder painting or zinc
Compatible with	AR02, AR02 BOX, AR02 LIGHT, AR02 WIDE, AR04, AR04 MIX, AR06, AR06 XL, AR 06 ATV, AR11 XL, AR45
Additional equipment	label, shelf P02

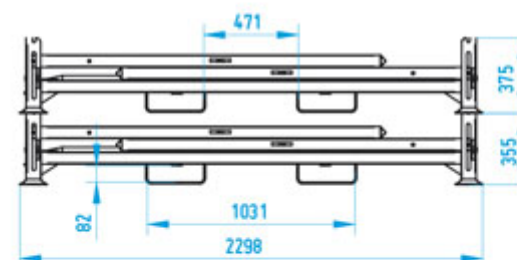
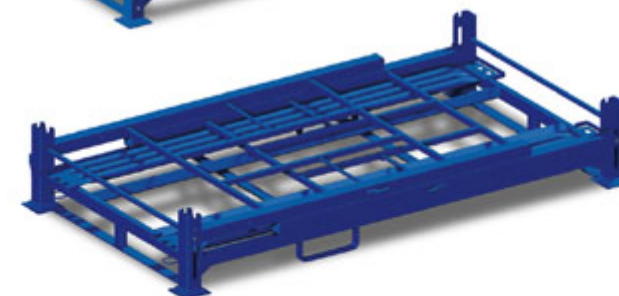
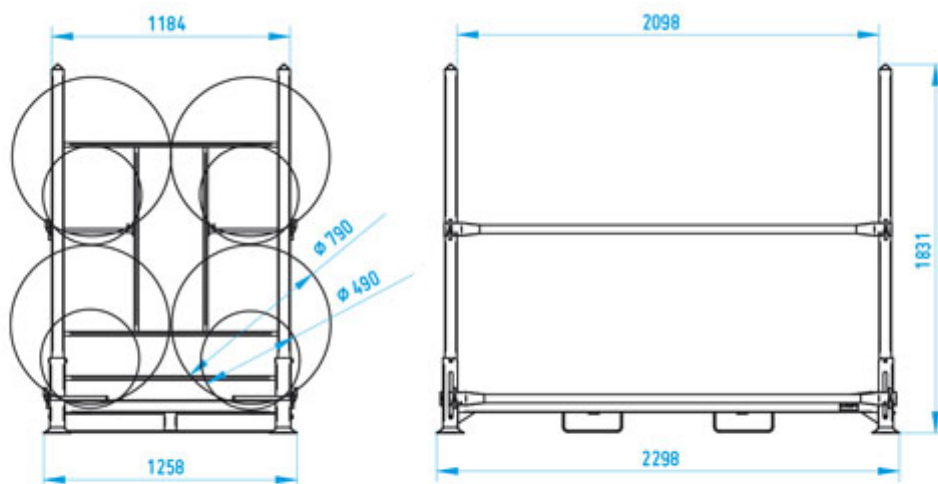


AR06 XL / for tyres up to \varnothing 790 mm

Certification:



Outside dimensions	2298 x 1258 x 1831 mm
Max. load capacity	1000 kg
Max. load capacity (bars)	200 kg (1 row with tyres - 2 bars)
Storing (racks with tyres)	4 (standard), 5 or 6 high
Storing (collapsible)	20 pcs high
Carrying capacity	up to 40 tyres
Sea transport	63 pcs (40'HC)
Surface	powder painting or zinc
Compatible with	AR02, AR02 BOX, AR02 LIGHT, AR02 WIDE, AR04, AR04 MIX, AR06, AR06 XL, AR 06 ATV, AR11 XL, AR45
Additional equipment	label, shelf P02



Arcom

spółka jawna Artur Wilk, Robert Zięba / ul. Brzeska 3 / 32-765 Rzeszawa / Poland / tel.: +48 14 6960400 / fax +48 14 6960401 / e-mail: info@arcom.net.pl / http://www.arcom.net.pl

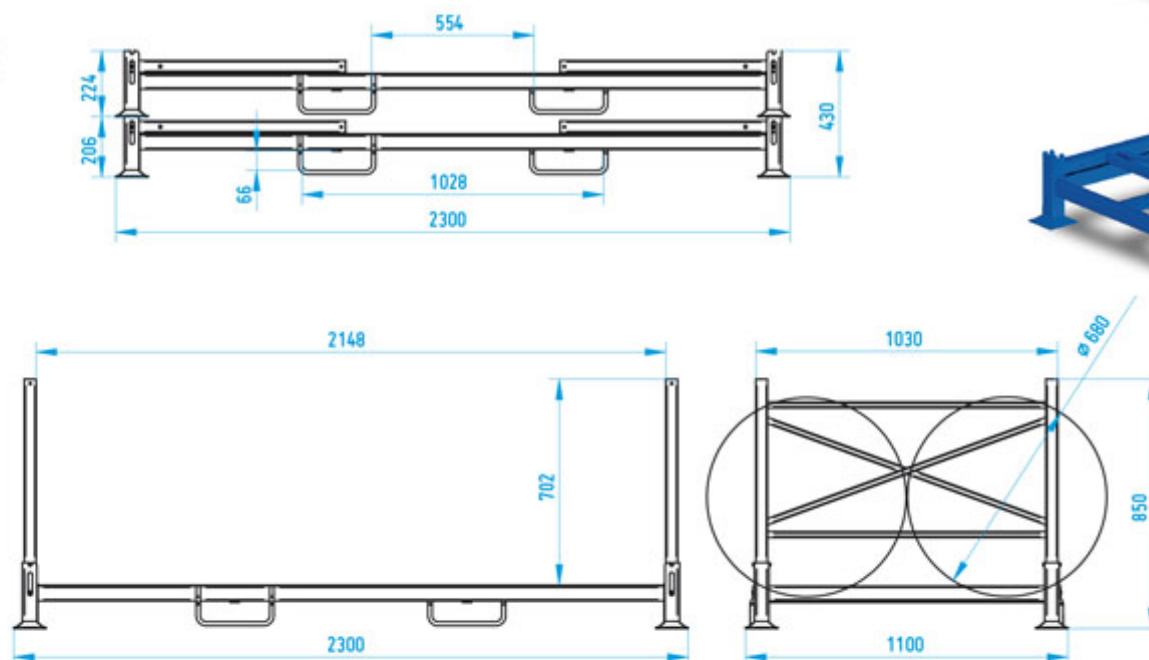
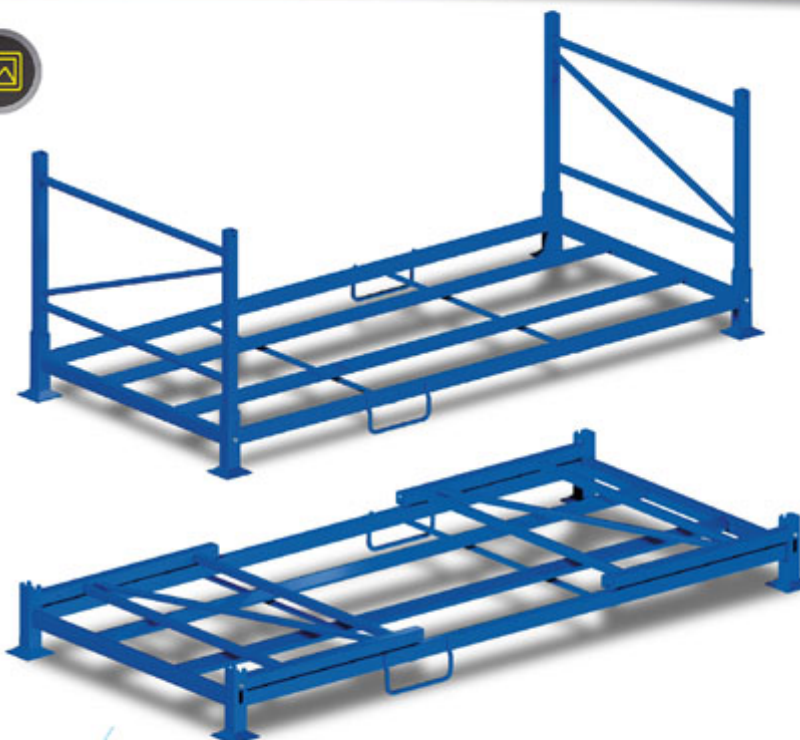
AR08 / for car tyres

Certification:



Outside dimensions	2300 x 1100 x 850 mm
Max. load capacity	300 kg
Storing (racks with tyres)	8 high
Storing (collapsible)	20 pcs high
Carrying capacity	up to 24 tyres
Sea transport	132 pcs (40'HC)
Surface	powder painting
Compatible with	AR08, AR11, AR41, AR43
Additional equipment	label

ATTENTION: new, secure way of storing tyres



Arcom

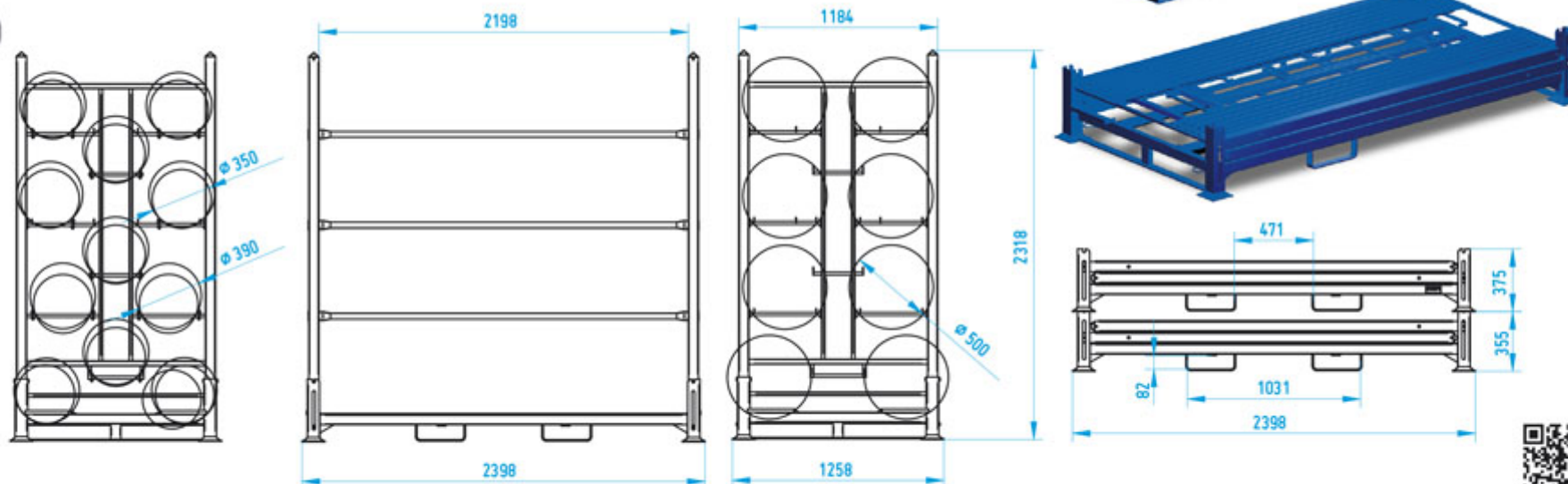
spółka jawna Artur Wilk, Robert Zięba / ul. Brzeska 3 / 32-765 Rzeszawa / Poland / tel.: +48 14 6960400 / fax +48 14 6960401 / e-mail: info@arcom.net.pl / http://www.arcom.net.pl

AR05 ATV / for tyres up to \varnothing 500 mm

Certification:



Outside dimensions	2398 x 1258 x 2318 mm
Max. load capacity	1000 kg
Max. load capacity (bars)	150 kg (1 row with tyres - 2 bars)
Storing (racks with tyres)	3 (standard) or 4 high
Storing (collapsible)	20 pcs high
Carrying capacity	up to 180 tyres (11 rows, 18 bars) standard: 8 rows, 12 bars
Trailers transport	96 pcs
Surface	powder painting or zinc
Compatible with	GY, GY WIDE, AR01, AR01 BOX, AR01 LIGHT, AR01 WIDE, AR03, AR03 MIX, AR05, AR05 XL, AR05 ATV, AR10 XL, AR44
Additional equipment	label, shelf P01



Arcom

spółka jawna Artur Wilk, Robert Zięba / ul. Brzeska 3 / 32-765 Rzeszawa / Poland / tel.: +48 14 6960400 / fax +48 14 6960401 / e-mail: info@arcom.net.pl / http://www.arcom.net.pl

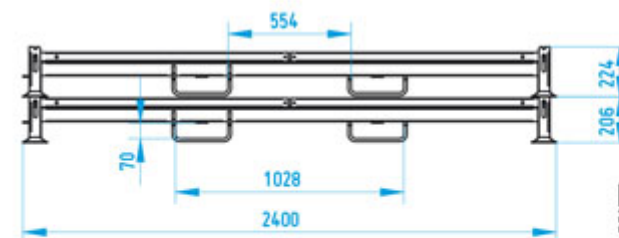
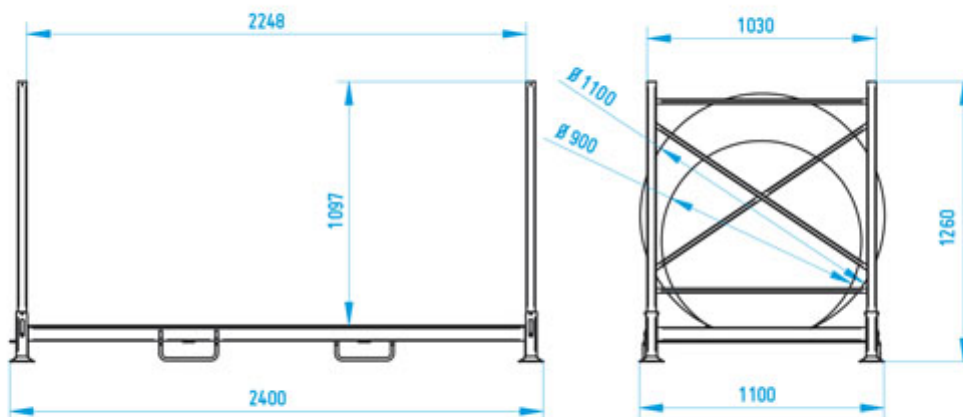
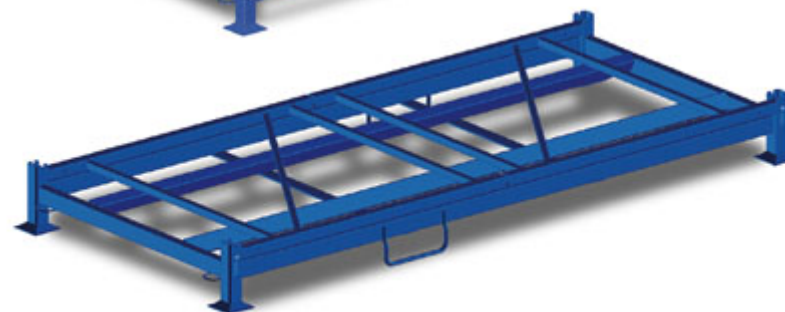
AR10 / for truck tyres

Certification:



Outside dimensions	2400 x 1100 x 1260 mm
Max. load capacity	600 kg
Storing (racks with tyres)	5 high
Storing (collapsible)	20 pcs high
Carrying capacity	6 tyres 385/65R 22.5 or 8 tyres 315/80R 22.5
Trailers transport	196 pcs
Surface	powder painting or zinc
Compatible with	AR07, AR10, AR40, AR42
Additional equipment	label

ATTENTION: new, secure way of storing tyres

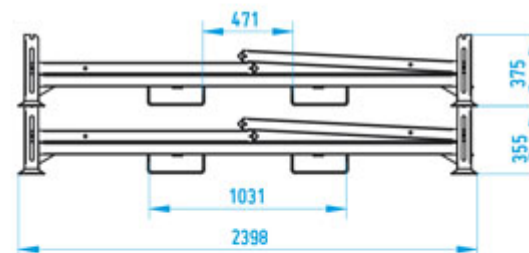
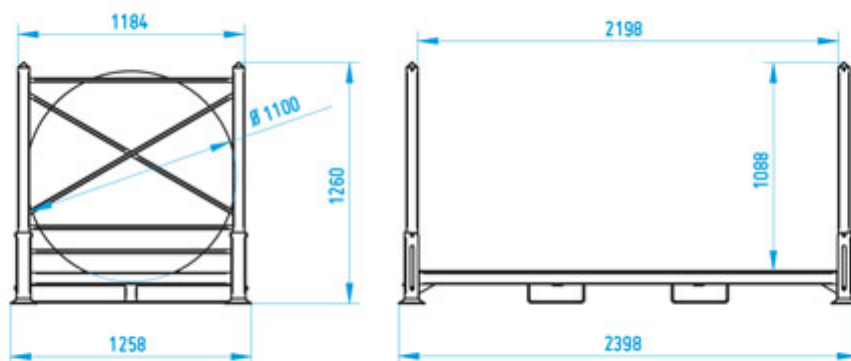


AR10 XL / for truck tyres

Certification:



Outside dimensions	2398 x 1258 x 1260 mm
Max. load capacity	600 kg
Storing (racks with tyres)	8 high
Storing (collapsible)	20 pcs high
Carrying capacity	6 tyres 385/65R 22.5 or 8 tyres 315/80R 22.5
Trailers transport	96 pcs
Surface	powder painting or zinc
Compatible with	GY, GY WIDE, AR01, AR01 WIDE, AR01 BOX, AR01 LIGHT, AR03, AR03 MIX, AR05, AR05 XL, AR05 ATV, AR10 XL, AR44
Additional equipment	label



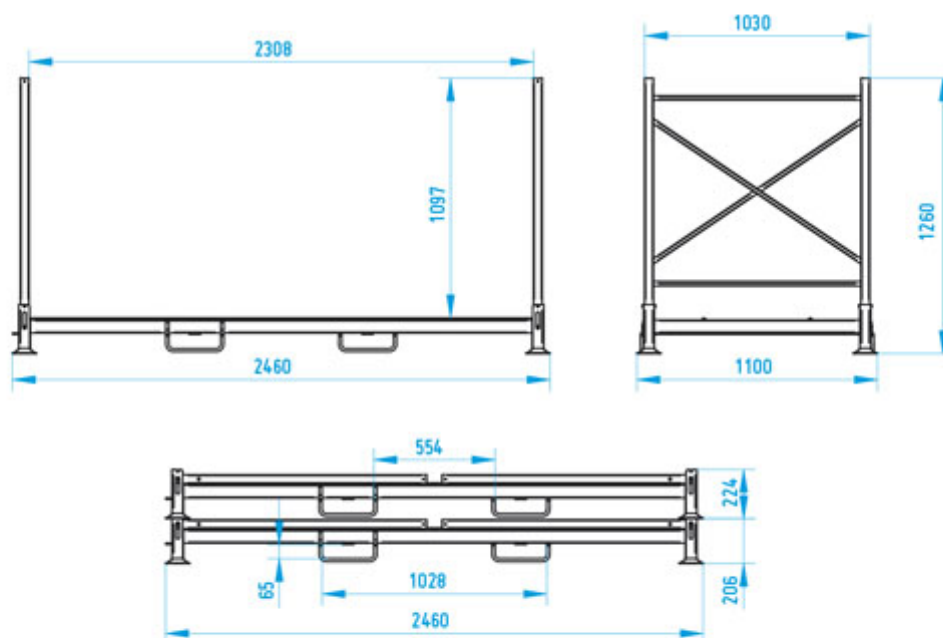
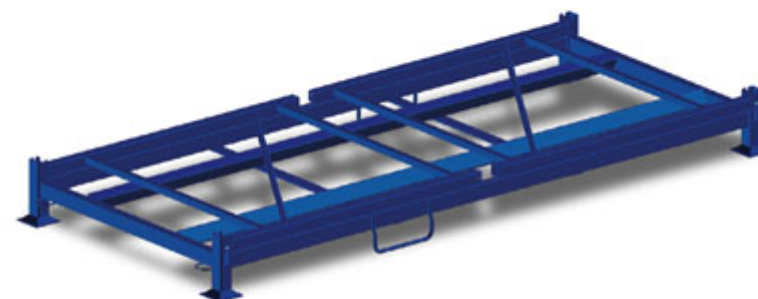
AR12 / for truck tyres

Certification:



Outside dimensions	2460 x 1100 x 1260 mm
Max. load capacity	1100 kg
Storing (racks with tyres)	4 high
Storing (collapsible)	20 pcs high
Carrying capacity	6 wheels 385/65R22.5
Trailers transport	196 pcs
Surface	powder painting or zinc
Additional equipment	label

ATTENTION: new, secure way of storing tyres



Arcom

spółka jawna Artur Wilk, Robert Zięba / ul. Brzeska 3 / 32-765 Rzeszawa / Poland / tel.: +48 14 6960400 / fax +48 14 6960401 / e-mail: info@arcom.net.pl / http://www.arcom.net.pl

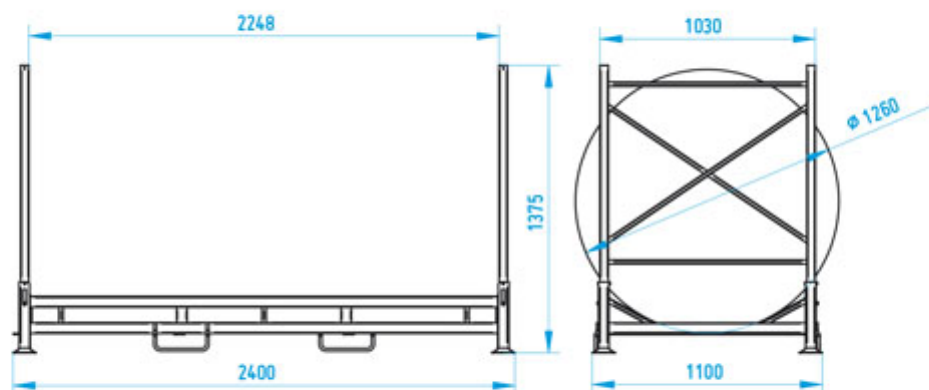
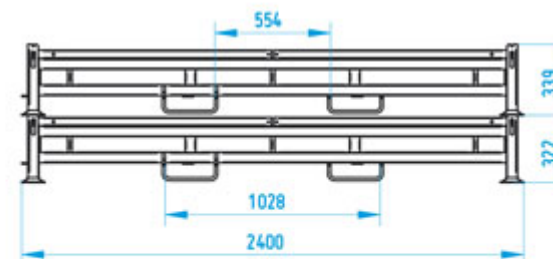
AR40 / for agri and industrial tyres

Certification:



Outside dimensions	2400 x 1100 x 1375 mm
Max. load capacity	800 kg
Storing (racks with tyres)	5 high
Storing (collapsible)	20 pcs high
Trailers transport	126 pcs
Surface	powder painting or zinc
Compatible with	AR07, AR10, AR40, AR42
Additional equipment	label

ATTENTION: new, secure way of storing tyres



Arcom

spółka jawna Artur Wilk, Robert Zięba / ul. Brzeska 3 / 32-765 Rzeszawa / Poland / tel.: +48 14 6960400 / fax +48 14 6960401 / e-mail: info@arcom.net.pl / http://www.arcom.net.pl

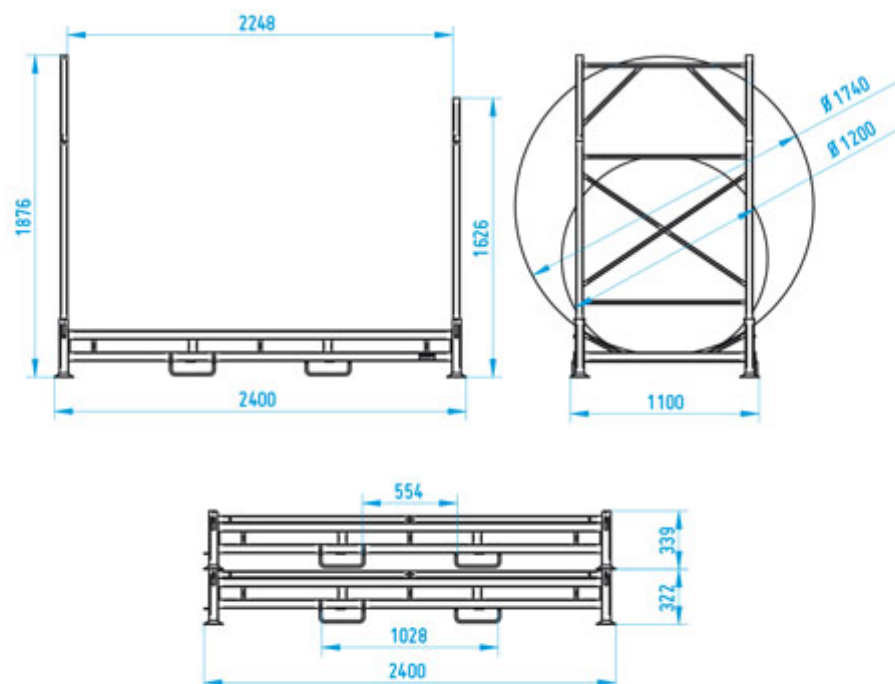
AR42 / for agri and industrial tyres

Certification:



Outside dimensions	(1) 2400 x 1100 x 1626 mm (2) 2400 x 1100 x 1876 mm
Max. load capacity	800 kg
Storing (racks with tyres)	(1) 4 high (2) 3 high
Storing (collapsible)	20 pcs high
Trailers transport	126 pcs
Surface	powder painting or zinc
Compatible with	AR07, AR10, AR40, AR42
Additional equipment	label

ATTENTION: new, secure way of storing tyres



Arcom

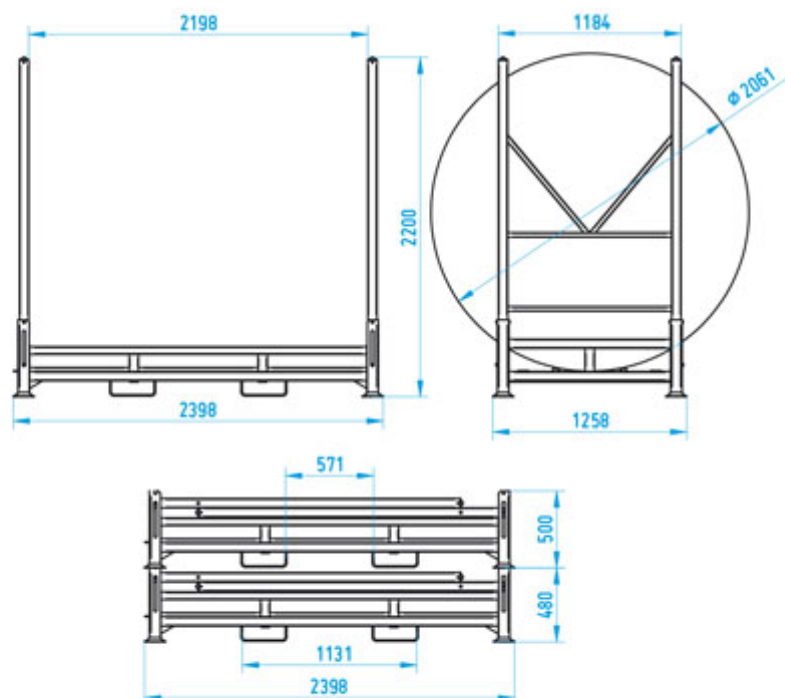
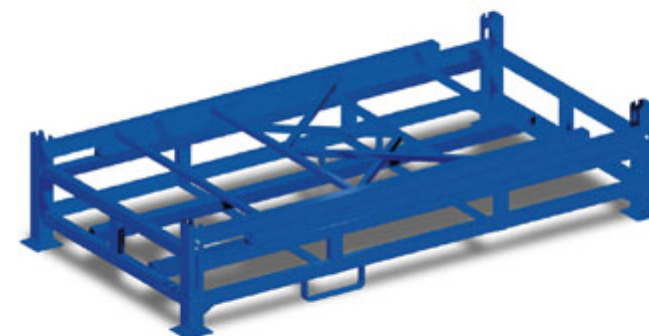
spółka jawna Artur Wilk, Robert Zięba / ul. Brzeska 3 / 32-765 Rzeszawa / Poland / tel.: +48 14 6960400 / fax +48 14 6960401 / e-mail: info@arcom.net.pl / http://www.arcom.net.pl

AR44 / for tyres EM-Giant \emptyset 1348-2061 mm

Certification:



Outside dimensions	2398 x 1258 x 2200 mm
Max. load capacity	1300 kg
Storing (racks with tyres)	3 high
Storing (collapsible)	20 pcs high
Trailers transport	72 pcs
Surface	powder painting or zinc
Compatible with	GY, GY WIDE, AR01, AR01 BOX, AR01 LIGHT, AR03, AR03 MIX, AR05, AR05 XL, AR05 ATV, AR10 XL, AR44
Additional equipment	label



Arcom

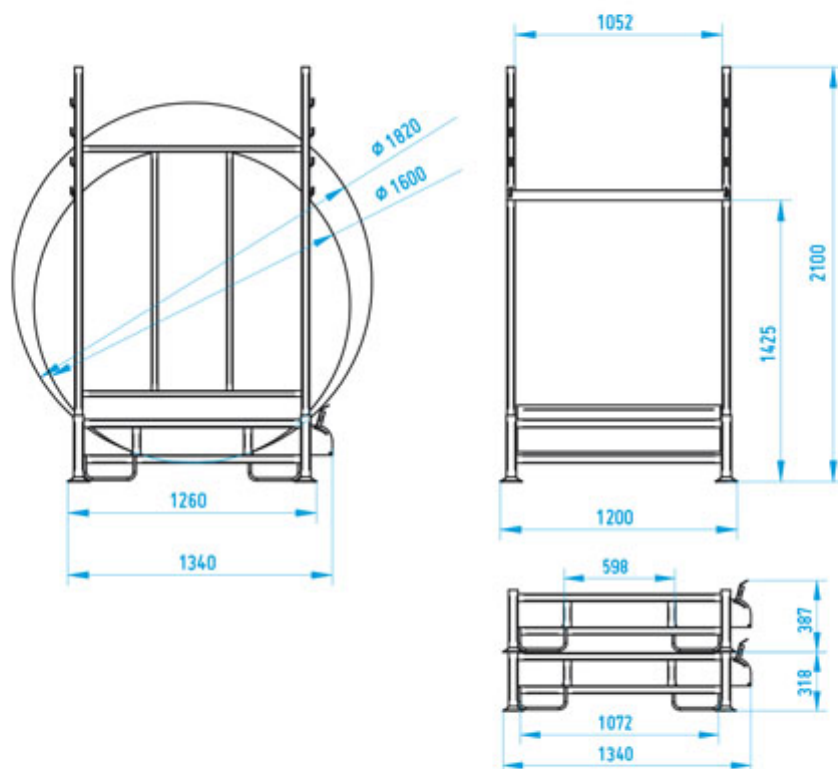
spółka jawna Artur Wilk, Robert Zięba / ul. Brzeska 3 / 32-765 Rzeszawa / Poland / tel.: +48 14 6960400 / fax +48 14 6960401 / e-mail: info@arcom.net.pl / http://www.arcom.net.pl

AR46 / for wheels up \varnothing 1820 mm

Certification:



Outside dimensions	1200 x 1340 x 2100 mm
Max. load capacity	600 kg
Storing (racks with tyres)	2 high
Storing (collapsible)	20 pcs high
Trailers transport	153 pcs
Sea transport	96 pcs (40'HC)
Surface	powder painting or zinc
Additional equipment	label



Arcom

spółka jawna Artur Wilk, Robert Zięba / ul. Brzeska 3 / 32-765 Rzeszawa / Poland / tel.: +48 14 6960400 / fax +48 14 6960401 / e-mail: info@arcom.net.pl / http://www.arcom.net.pl

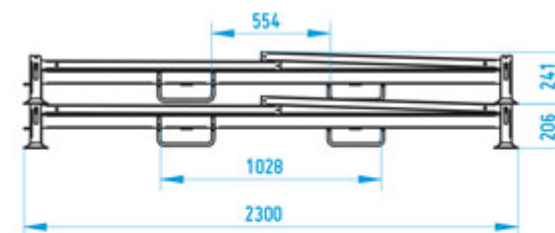
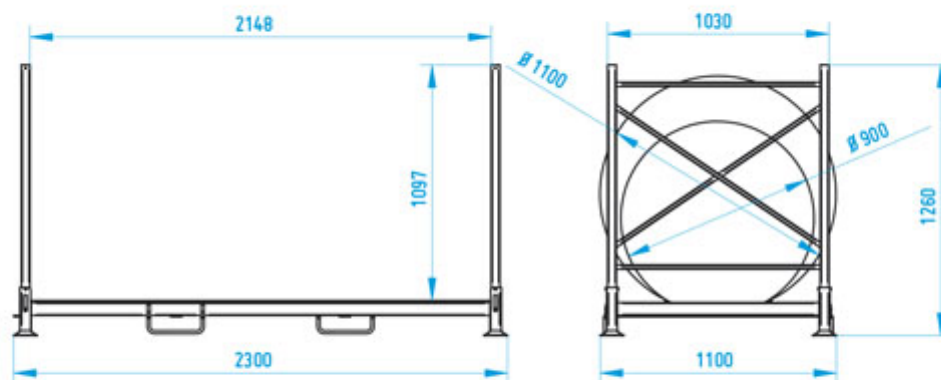
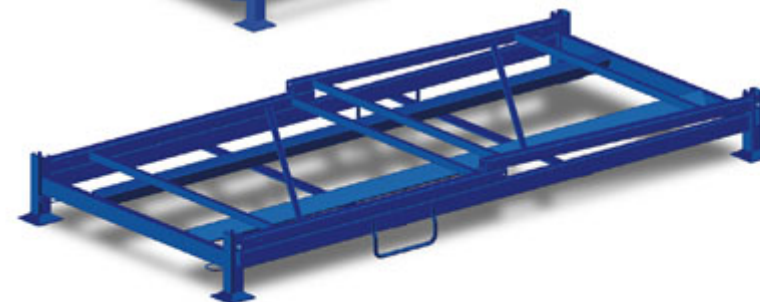
AR11 / for truck tyres

Certification:



Outside dimensions	2300 x 1100 x 1260 mm
Max. load capacity	600 kg
Storing (racks with tyres)	5 high
Storing (collapsible)	20 pcs high
Carrying capacity	8 tyres 295/80 R22.5
Sea transport	132 pcs (40'HC)
Surface	powder painting or zinc
Compatible with	AR08, AR11, AR41, AR43
Additional equipment	label

ATTENTION: new, secure way of storing tyres



Arcom

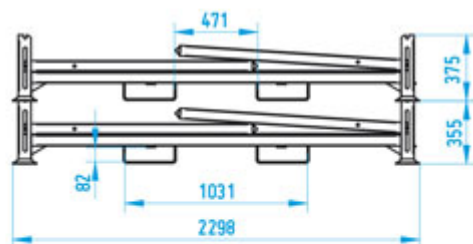
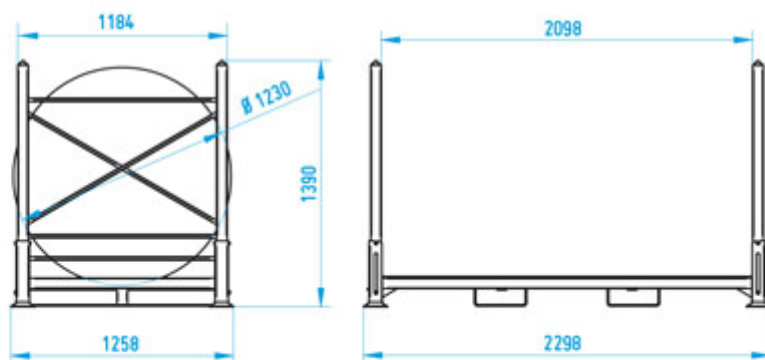
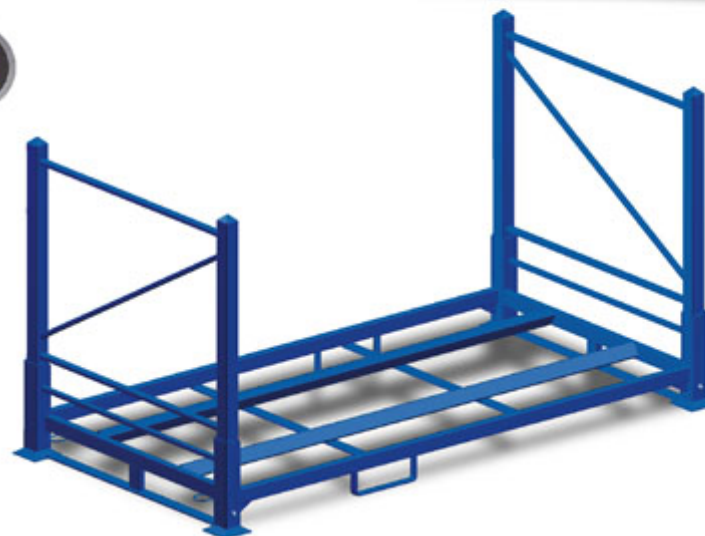
spółka jawna Artur Wilk, Robert Zięba / ul. Brzeska 3 / 32-765 Rzeszawa / Poland / tel.: +48 14 6960400 / fax +48 14 6960401 / e-mail: info@arcom.net.pl / http://www.arcom.net.pl

AR11 XL / for truck tyres

Certification:



Outside dimensions	2298 x 1258 x 1390 mm
Max. load capacity	600 kg
Storing (racks with tyres)	8 high
Storing (collapsible)	20 pcs high
Carrying capacity	8 tyres 295/80 R22.5
Sea transport	63 pcs
Surface	powder painting or zinc
Compatible with	AR02, AR02 BOX, AR02 LIGHT, AR02 WIDE, AR04, AR04 MIX, AR06, AR06 XL, AR 06 ATV, AR11 XL, AR45
Additional equipment	label



Arcom

spółka jawna Artur Wilk, Robert Zięba / ul. Brzeska 3 / 32-765 Rzeszawa / Poland / tel.: +48 14 6960400 / fax +48 14 6960401 / e-mail: info@arcom.net.pl / http://www.arcom.net.pl

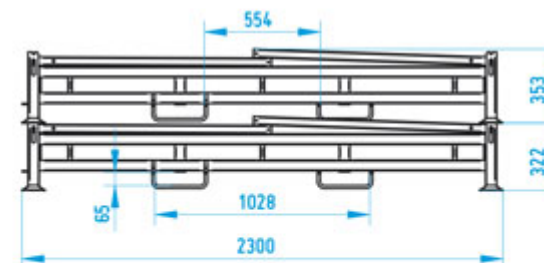
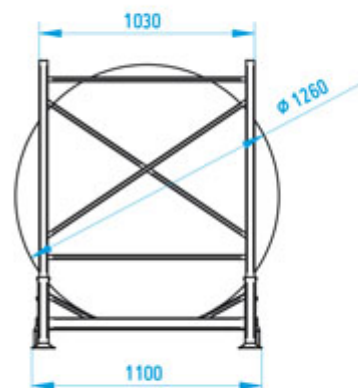
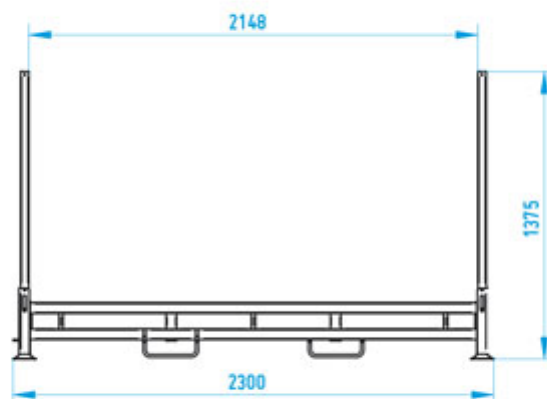
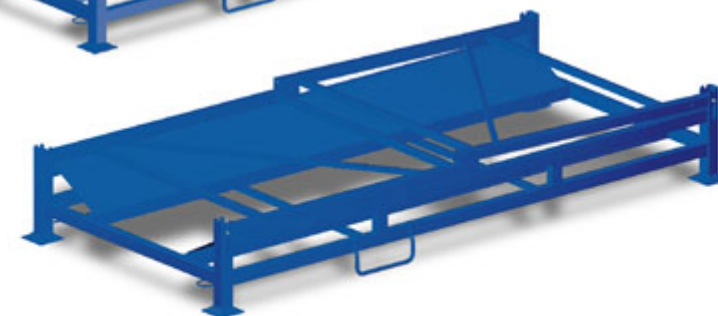
AR41 / for agri and industrial tyres

Certification:



Outside dimensions	2300 x 1100 x 1375 mm
Max. load capacity	800 kg
Storing (racks with tyres)	5 high
Storing (collapsible)	20 pcs high
Sea transport	86 pcs (40'HC)
Surface	powder painting or zinc
Compatible with	AR08, AR11, AR41, AR43
Additional equipment	label

ATTENTION: new, secure way of storing tyres



Arcom

spółka jawna Artur Wilk, Robert Zięba / ul. Brzeska 3 / 32-765 Rzeszawa / Poland / tel.: +48 14 6960400 / fax +48 14 6960401 / e-mail: info@arcom.net.pl / http://www.arcom.net.pl

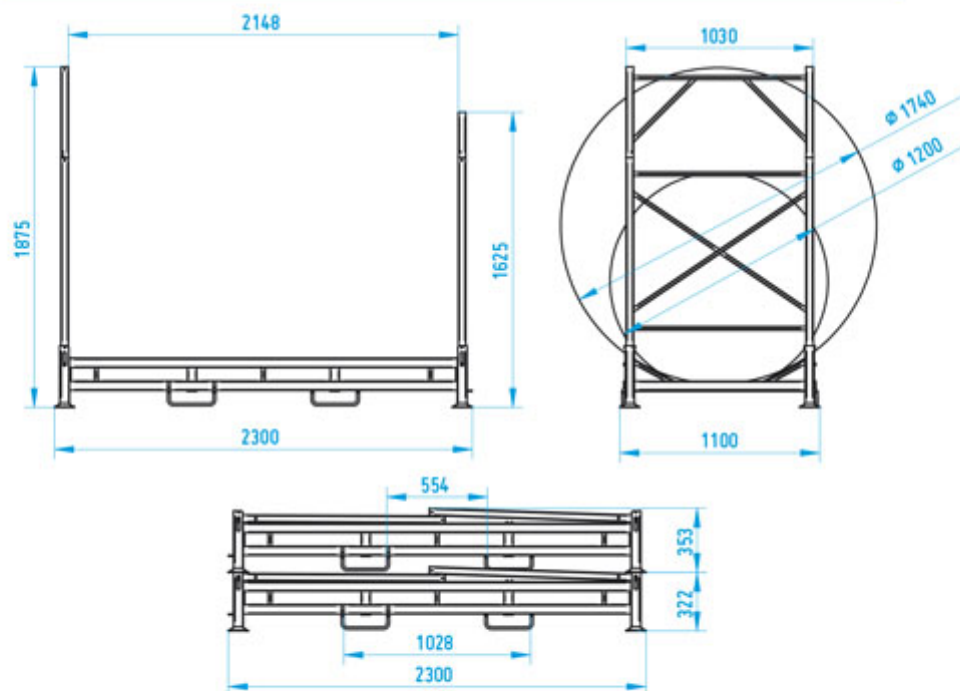
AR43 / for agri and industrial tyres

Certification:



Outside dimensions	(1) 2300 x 1100 x 1625 mm (2) 2300 x 1100 x 1875 mm
Max. load capacity	800 kg
Storing (racks with tyres)	(1) 4 high (2) 3 high
Storing (collapsible)	20 pcs high
Sea transport	86 pcs (40'HC)
Surface	powder painting or zinc
Compatible with	AR08, AR11, AR41, AR43
Additional equipment	label

ATTENTION: new, secure way of storing tyres

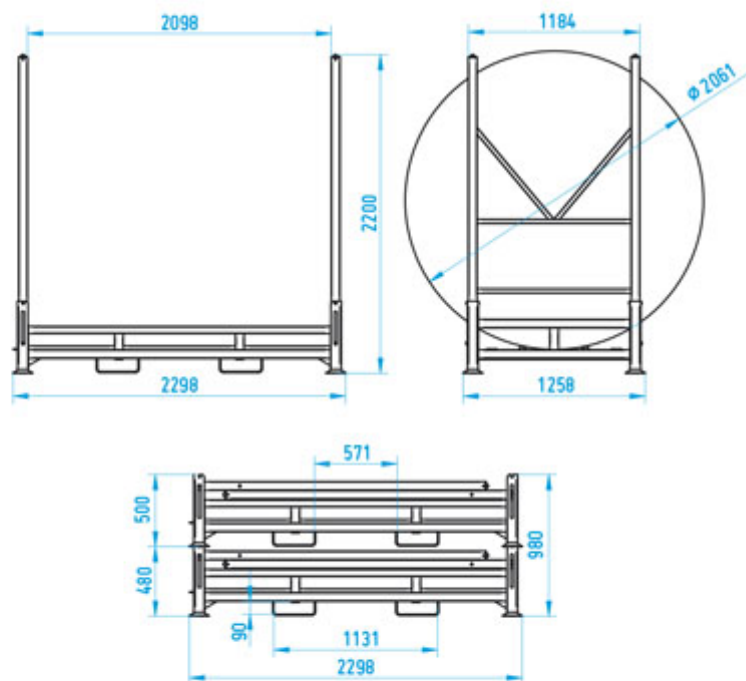


AR45 / for tyres EM-Giant Ø 1348-2061 mm

Certification:



Outside dimensions	2298 x 1258 x 2200 mm
Max. load capacity	1300 kg
Storing (racks with tyres)	3 high
Storing (collapsible)	20 pcs high
Sea transport	45 pcs
Surface	powder painting or zinc
Compatible with	AR02, AR02 BOX, AR02 LIGHT, AR02 WIDE, AR04, AR04 MIX, AR06, AR06 XL, AR 06 ATV, AR11 XL, AR45
Additional equipment	label

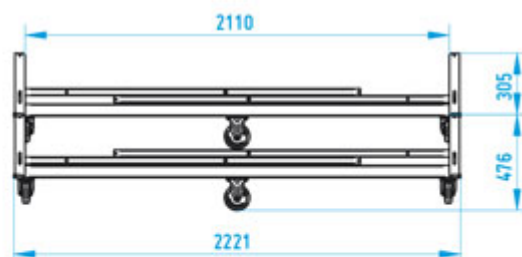
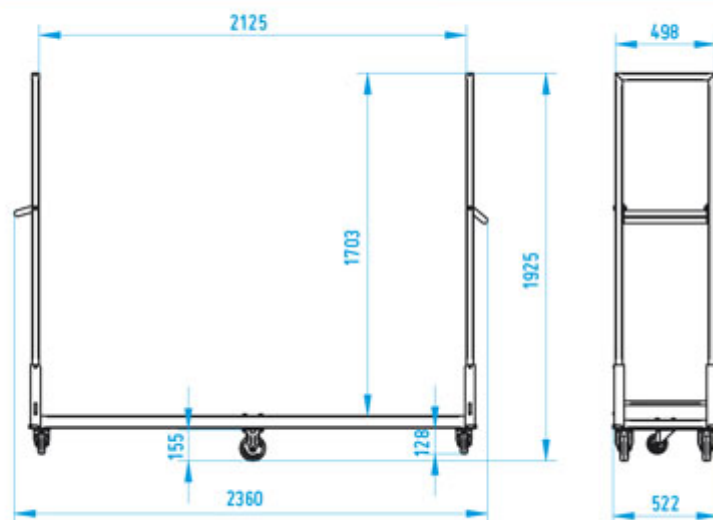


AR30 / trolley

Certification:



Outside dimensions	2360 x 522 x 1925 mm
Carrying capacity	50 pcs tyres 13"
Trailers transport	270 pcs
Sea transport	184 pcs (40'HC)
Surface	powder painting or zinc
Wheels	front and back roll-up brake
Additional equipment	label



Arcom

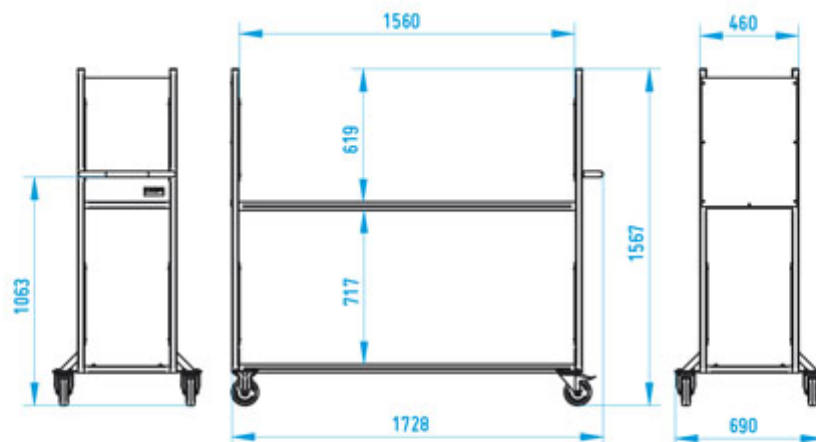
spółka jawna Artur Wilk, Robert Zięba / ul. Brzeska 3 / 32-765 Rzeszawa / Poland / tel.: +48 14 6960400 / fax +48 14 6960401 / e-mail: info@arcom.net.pl / http://www.arcom.net.pl

AR32 / trolley

Certification:



Outside dimensions	1728 x 690 x 1567 mm
Carrying capacity	for 4 wheel sets
Trailers transport	96 pcs
Sea transport	54 pcs (40'HC)
Surface	powder painting or zinc
Wheels	two fixed, two roll-up with brake
Additional equipment	sheet metal, corners which protect wheels (8 pcs), label



Arcom

spółka jawna Artur Wilk, Robert Zięba / ul. Brzeska 3 / 32-765 Rzeszawa / Poland / tel.: +48 14 6960400 / fax +48 14 6960401 / e-mail: info@arcom.net.pl / http://www.arcom.net.pl

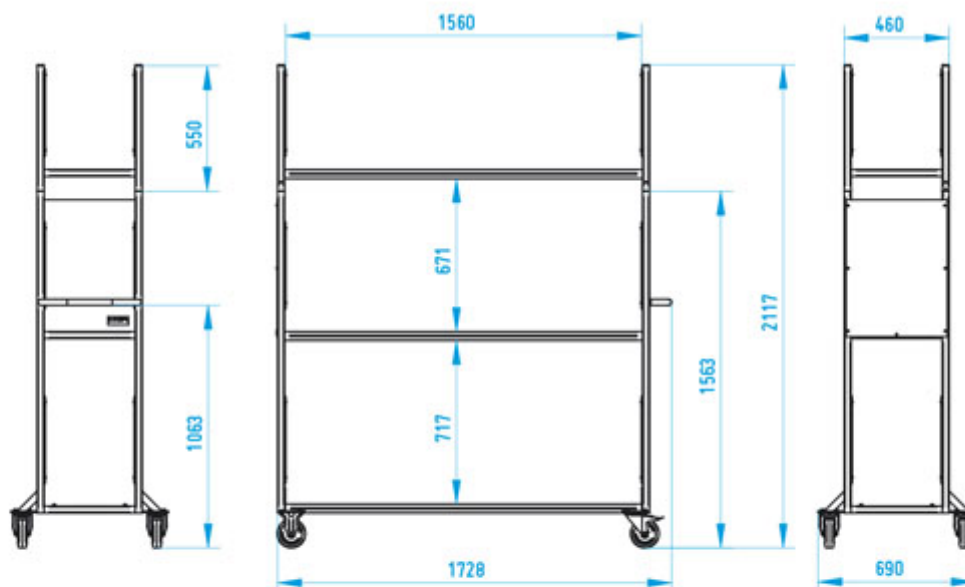
AR33 / trolley

Certification:



Outside dimensions	1728 x 690 x 2117 mm
Carrying capacity	for 6 wheel sets
Trailers transport	96 pcs
Sea transport	54 pcs (40'HC)
Surface	powder painting or zinc
Wheels	two fixed, two roll-up with brake
Additional equipment	sheet metal, corners which protect wheels (12 pcs), label

ATTENTION: the third shelf made as a level riser



Arcom

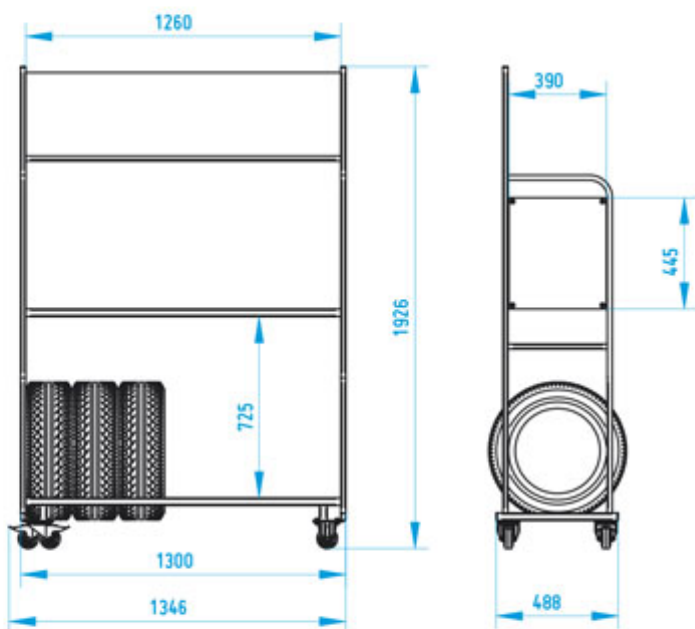
spółka jawna Artur Wilk, Robert Zięba / ul. Brzeska 3 / 32-765 Rzeszawa / Poland / tel.: +48 14 6960400 / fax +48 14 6960401 / e-mail: info@arcom.net.pl / http://www.arcom.net.pl

AR34 / trolley exhibition

Certification:



Outside dimensions	1346 x 488 x 1926 mm
Carrying capacity	up to 10 wheels
Trailers transport	80 pcs
Sea transport	60 pcs
Surface	powder painting or zinc
Wheels	two fixed, two roll-up with brake
Additional equipment	white metacrylate sides



Arcom

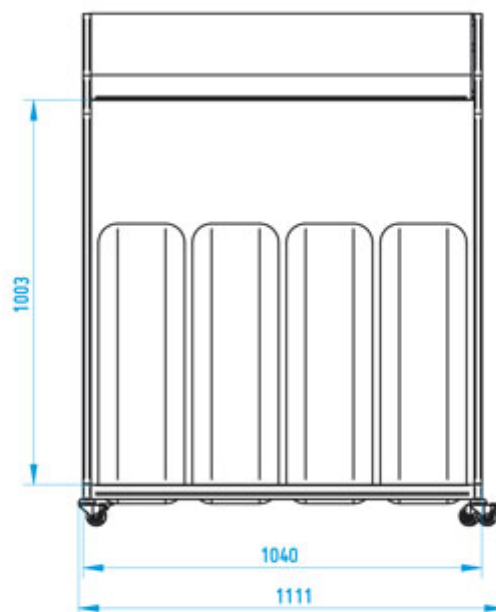
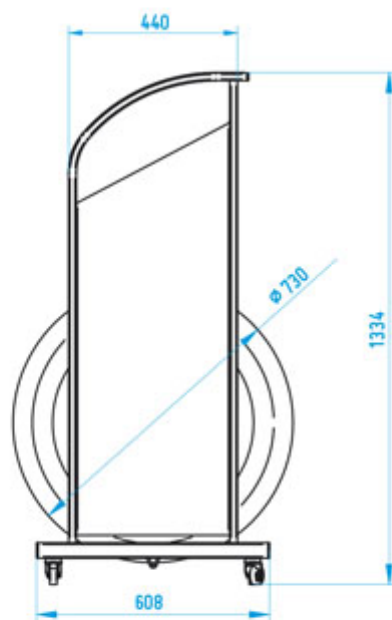
spółka jawna Artur Wilk, Robert Zięba / ul. Brzeska 3 / 32-765 Rzeszawa / Poland / tel.: +48 14 6960400 / fax +48 14 6960401 / e-mail: info@arcom.net.pl / http://www.arcom.net.pl

AR35 / trolley exhibition

Certification:



Outside dimensions	1111 x 608 x 1334 mm
Carrying capacity	for 4 wheel sets
Trailers transport	60 pcs
Sea transport	46 pcs
Wheels	two fixed, two roll-up with brake
Surface	powder painting

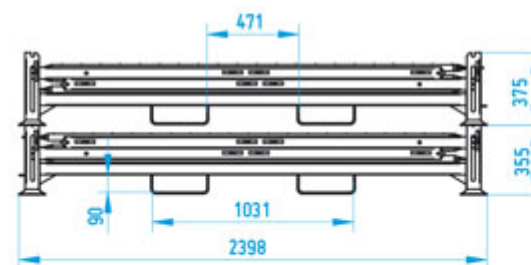
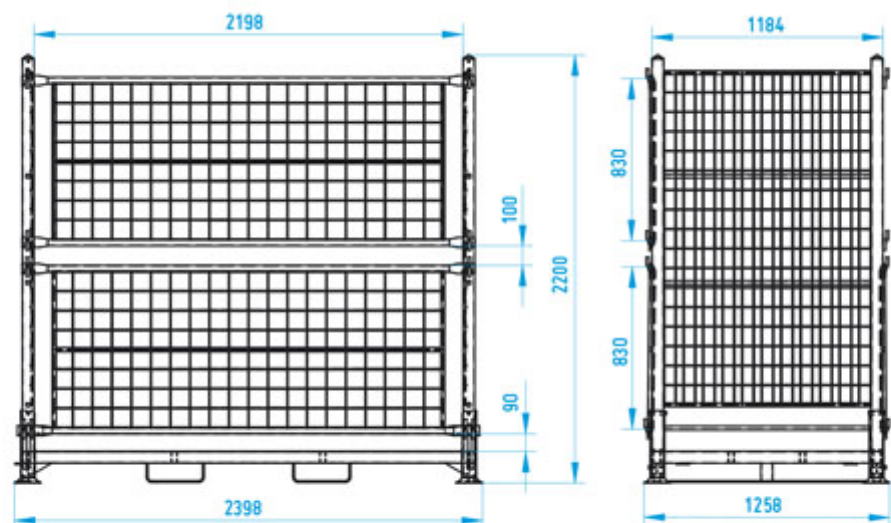


AR01 BOX / for storing small parts

Certification:



Outside dimensions	2398 x 1258 x 2200 mm
Max. load capacity	1000 kg
Storing (racks with tyres)	3 (standard), 4 or 5 high
Storing (collapsible)	20 pcs high
Trailers transport	96 pcs
Surface	powder painting
Compatible with	GY, GY WIDE, AR01, AR01 BOX, AR01 LIGHT, AR01 WIDE, AR03, AR03 MIX, AR05, AR05 XL, AR05 ATV, AR10 XL, AR44
Additional equipment	holes in metal sheet (45 holes), label, shelf P01, grid (box)



P01, P02 / shelves

Certification:



P01

Outside dimensions	2312 x 1140 x 61 mm
Max. load capacity	500 kg
Use	in racks AR01 - AR05
Surface	powder painting
Additional equipment	holes in metal sheet (45 holes), label

P02

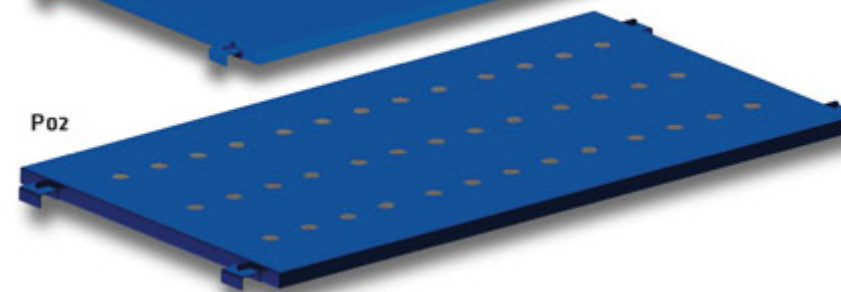
Outside dimensions	2212 x 1140 x 61 mm
Max. load capacity	500 kg
Use	in racks AR02 - AR06
Surface	powder painting
Additional equipment	holes in metal sheet (39 holes), label



P01



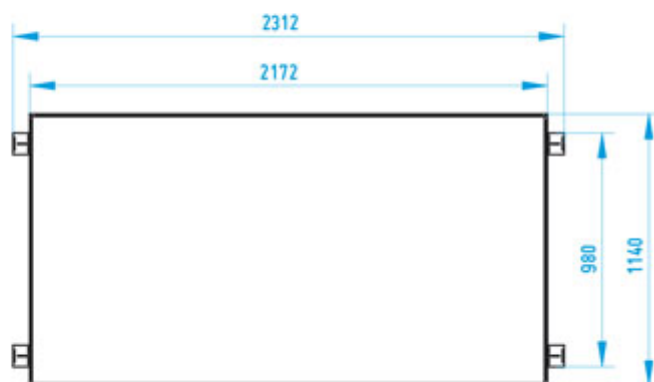
P02



P01



P02

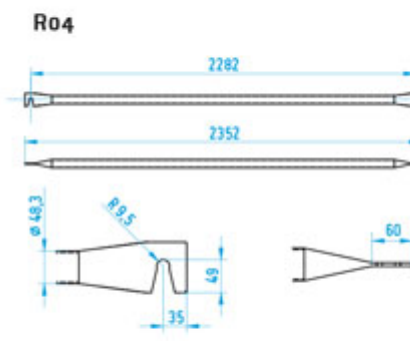
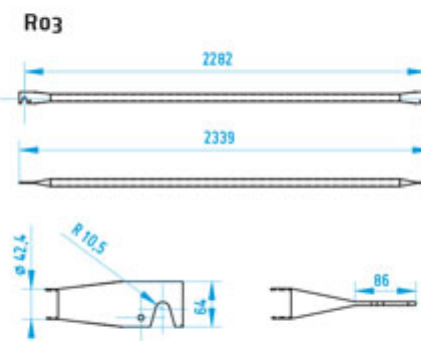
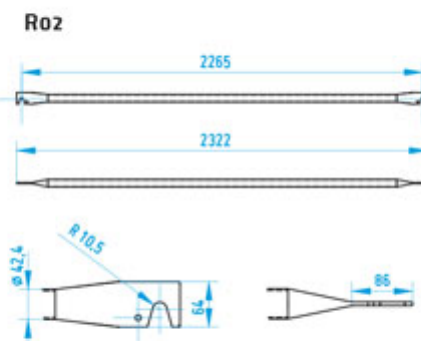
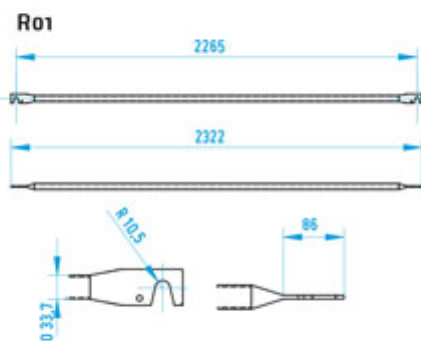
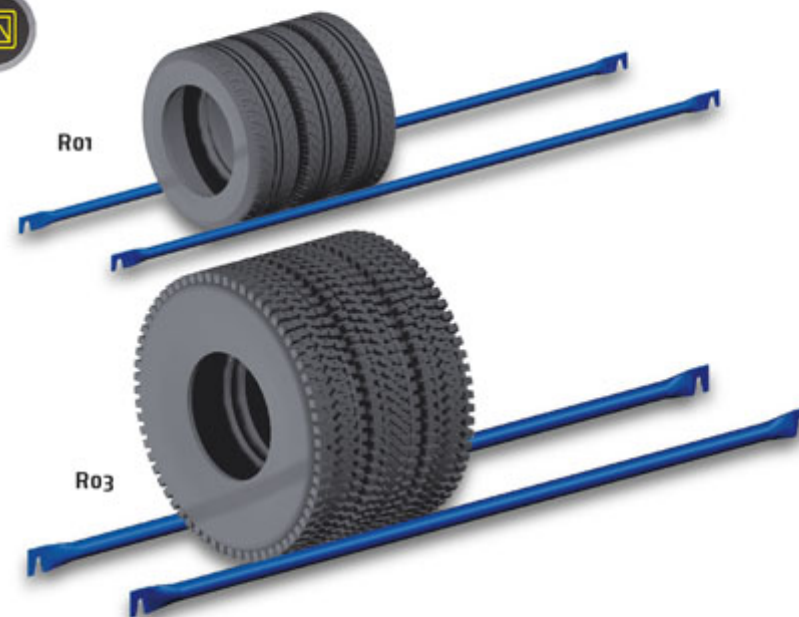


R01, R02, R03, R04 / bars

Certification:



R01 / bar ø 33.7 mm	
Max. load capacity of 2 bars	150 kg
Surface	powder painting or zinc
R02 / bar ø 42.4 mm	
Max. load capacity of 2 bars	200 kg
Surface	powder painting or zinc
R03 / bar ø 42.4 mm	
Max. load capacity of 2 bars	200 kg
Surface	powder painting or zinc
Compatible with Goodyear's bar	
R04 / bar ø 48.3 mm	
Max. load capacity of 2 bars	250 kg
Surface	powder painting or zinc
Goodyear's bar	



Arcom

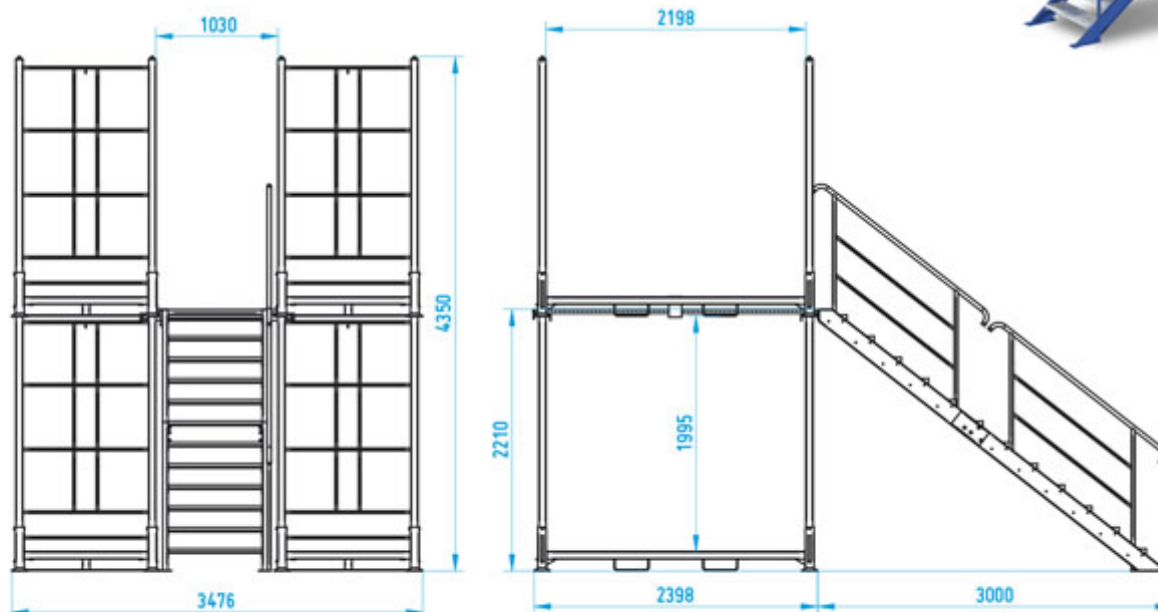
spółka jawna Artur Wilk, Robert Zięba / ul. Brzeska 3 / 32-765 Rzeszawa / Poland / tel.: +48 14 6960400 / fax +48 14 6960401 / e-mail: info@arcom.net.pl / http://www.arcom.net.pl

Staircase and Platform (passage)

Certification:



Platform's dimensions	2390 x 1000 mm
Staircase's dimension	3000 x 1000 mm
Staircase step's dimension	800 x 240 mm
Max. load capacity	250 kg/m ²
Surface	powder painting staircase steps and galvanized gratings



AR02 BOX / for storing small parts

Certification:



Outside dimensions	2298 x 1258 x 2200 mm
Max. load capacity	1000 kg
Storing (racks with tyres)	3 (standard), 4 or 5 high
Storing (collapsible)	20 pcs high
Sea transport	63 pcs (40'HC)
Surface	powder painting
Compatible with	AR02, AR02 BOX, AR02 LIGHT, AR02 WIDE, AR04, AR04 MIX, AR06, AR06 XL, AR 06 ATV, AR11 XL, AR45
Additional equipment	holes in metal sheet (39 holes), label, shelf P02

